

Sabre Lawn Tractors
1438GS, 1438HS, 1542HS, 1742GS,
1742HS and 2046HS
OMGX10782 H0

Removing Mower

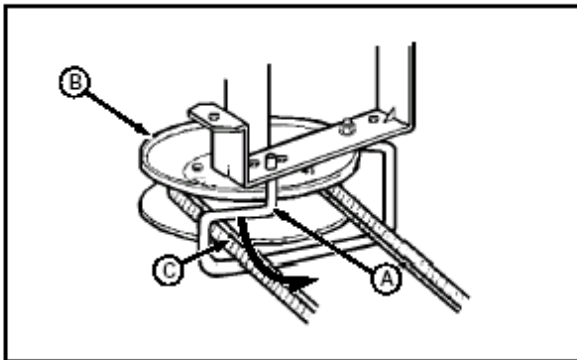
1. Park machine safely. (See Parking Safely in Safety Section.) Disengage mower blades and wait for all moving parts to stop.



CAUTION: Avoid injury! Rotating blades are dangerous. Before adjusting or servicing mower:

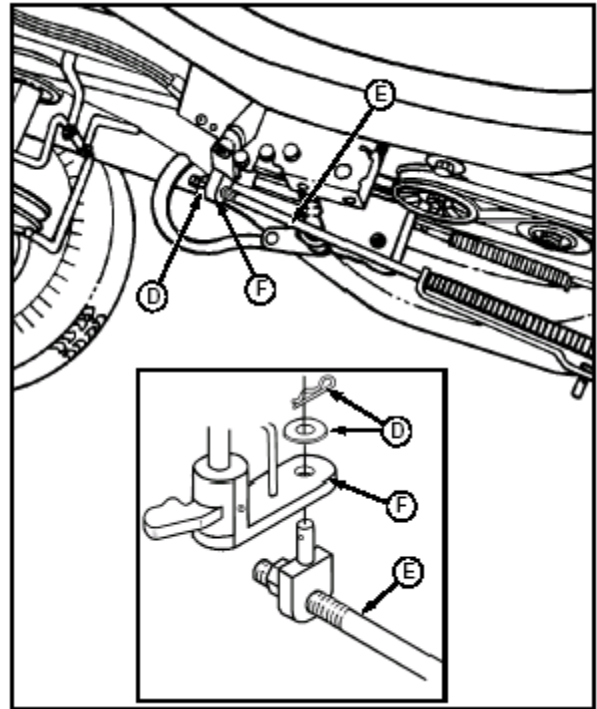
- Disconnect spark plug wire(s) to prevent engine from starting accidentally.
- Always wear gloves when handling mower blades or working near blades.

2. Put lift lever in highest position.
 3. Put wood blocks under each side of mower.
 4. Put lift lever in lowest position, bringing deck down onto blocks.

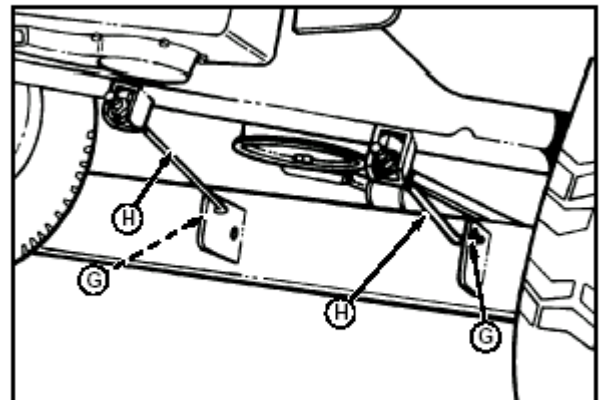


Picture Note: Shown from behind L.H. front wheel.

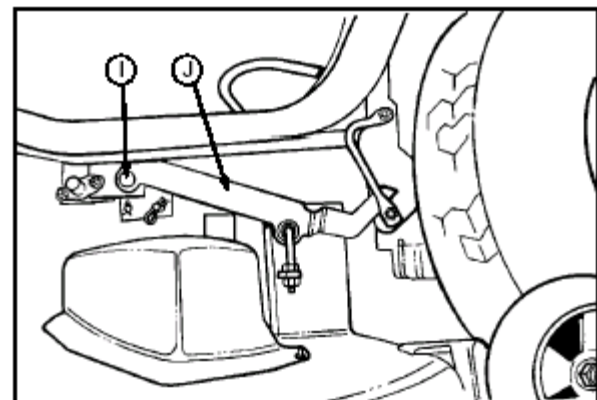
5. Remove belt from engine drive sheave and belt guides:
- a. Pull down on left-hand side of belt guide (A) and rotate away from engine pulley (B).
 - b. Remove belt (C) from belt guide and pulley.
 - c. Return guide to original position. Insure that the guide is seated into the hole.



6. Remove spring locking pin and washer (D) holding tension rod (E) to blade drive arm (F).



7. Remove spring locking pins and washers (G) from front draft rods (H) and remove draft arms from front axle brackets. Store draft arms with mower.



8. Remove spring locking pins and rear draft pins (I), one on each side, from rear draft brackets (J).



CAUTION: Avoid injury! Lift lever is under tension and can snap back when deck is removed.

Hold lift lever tightly when releasing from lock (lower) position.

9. Move lift lever to the highest position.
10. Slide mower out from under the tractor.

Installing Mower

1. Park machine safely. (See Parking Safely in Safety Section.)
2. Put lift lever in highest position.



CAUTION: Avoid injury! Rotating blades are dangerous. Before adjusting or servicing mower:

- Disconnect spark plug wire(s) to prevent engine from starting accidentally.
- Always wear gloves when handling mower blades or working near blades.

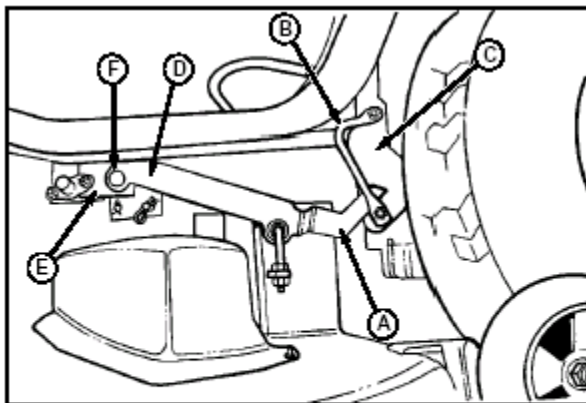
3. Slide mower under tractor.



CAUTION: Avoid injury! Lift lever is under tension and can snap back when deck is removed.

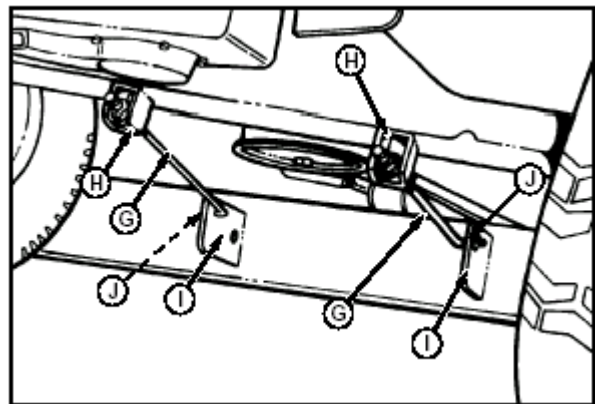
Hold lift lever tightly when releasing from lock (lower) position.

4. Put lift lever in lowest position.



Picture Note: Left side of tractor shown.

5. Position the deck so the rear draft arms (A) are between the guide rods (B) and the lift arms (C).
6. Lift the mower deck. Place wood blocks under each side of mower deck and align the holes in the front of the rear draft brackets (D) with the holes in the frame bracket (E).
7. Insert rear draft pins (F) through rear draft arms and frame bracket from the outboard side. Secure with spring locking pins.



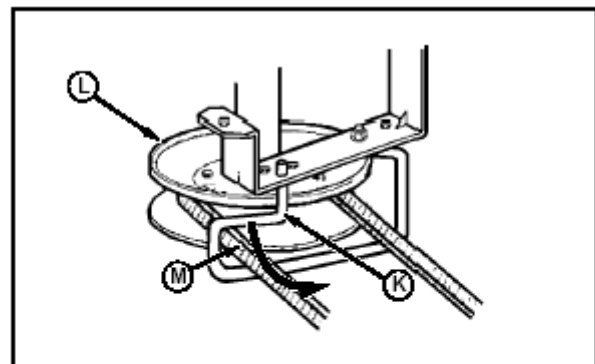
Picture Note: Front of left hand front wheel shown.

8. Insert angled end of front draft rod assemblies (G) through holes in front axle brackets (H).

NOTE: The draft rod assemblies are inserted from the inside of the mower deck brackets toward the outside of the bracket.

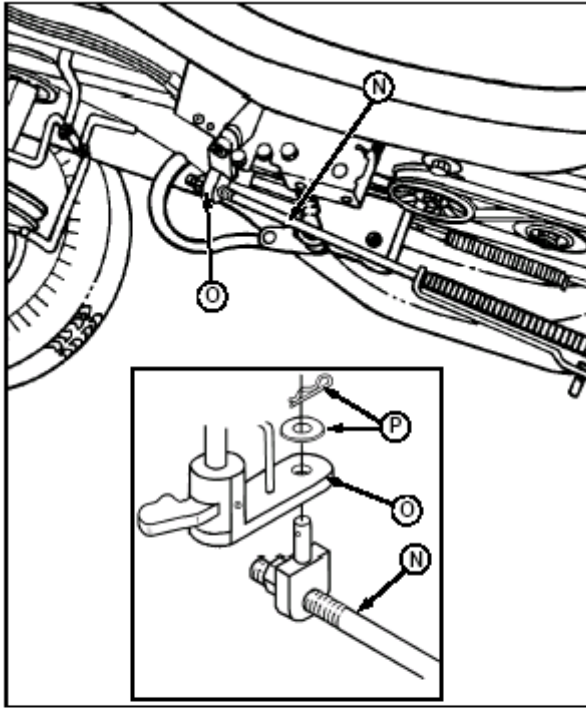
9. Raise front of deck and block. Insert angled end of front draft rods into forward holes on the front brackets (I) of the mower deck.

10. Secure each draft rod with flat washer and spring locking pin (J).



Picture Note: Shown from behind L.H. front wheel.

11. Pull down on left-hand side of belt guide (K) and rotate away from engine pulley (L). Install belt (M) through belt guide and onto pulley. Return guide to original position. Insure that the guide is seated into the hole.



12. Raise tension rod (N) and attach to blade drive arm (O) using flat washer and spring locking pin (P).
13. Raise deck by pressing the lift lever lock and pulling the mower deck lift lever to its highest point.
14. Remove wood blocks from under deck.
15. Check for proper routing and position of all belts.
16. Level mower.

Replacing Mower Drive Belt

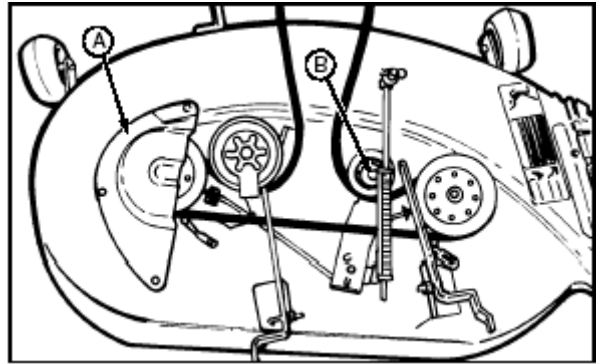


CAUTION: Avoid injury! Rotating blades are dangerous. Before adjusting or servicing mower:

- Disconnect spark plug wire(s) to prevent engine from starting accidentally.
- Always wear gloves when handling mower blades or working near blades.

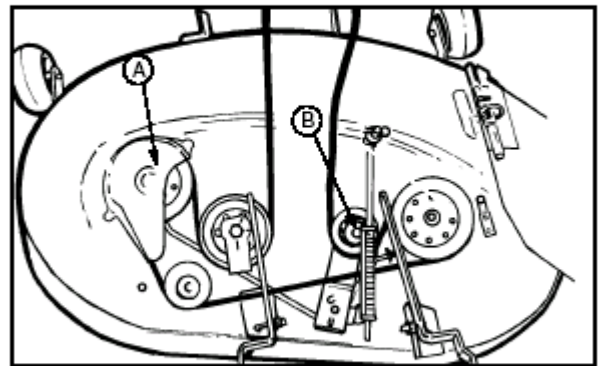
1. Park vehicle safely. (See Parking Safety in Safety Section.) Disengage mower blades and wait for all moving parts to stop.
2. Remove mower deck.
3. Remove drive belt.

38-Inch Mower Deck:



- a. Remove three capscrews and belt guard (A).
- b. Loosen pulley (B) and move pulley to the right.
- c. Remove mower belt.

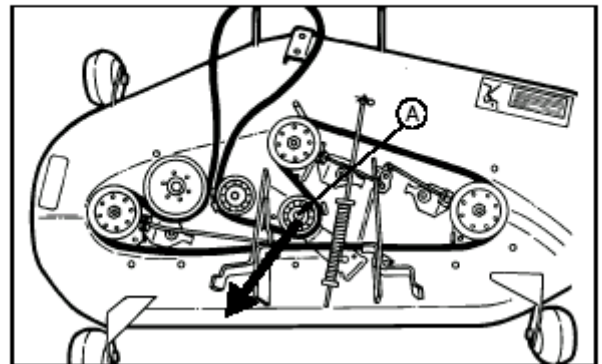
42-Inch Mower Deck:



- a. Remove two capscrews and belt guard (A).
- b. Loosen pulley (B) and move pulley to the right.
- c. Remove mower belt.

46-Inch Mower Deck:

- a. Remove six capscrews and left and right belt guards.



- b. Pull pulley (A) to the left and remove mower drive belt from engine pulley.
- c. Remove mower belt.
4. Inspect belt for wear or damage; replace as necessary.
5. Install belt in reverse order of removal.
6. Reinstall belt guard(s) and tighten capscrews securely.
7. Install mower deck and adjust mower belt tension, if necessary.

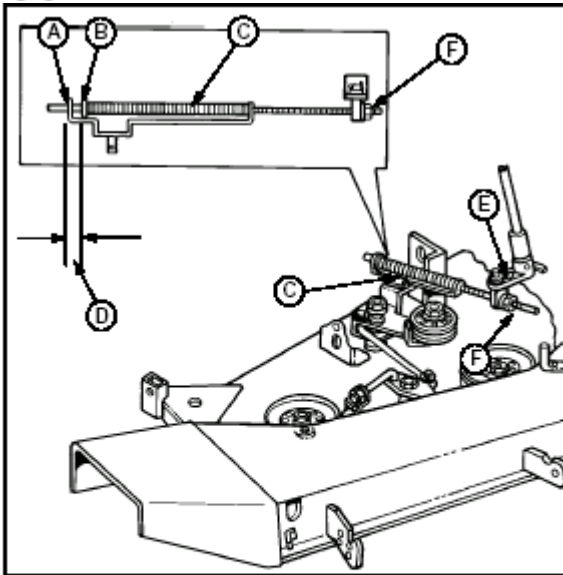
Adjusting Mower Belt Tension



CAUTION: Avoid injury! Rotating blades are dangerous. Stop engine, remove key, wait for all moving parts to stop before servicing machine.

IMPORTANT: Avoid damage! Spindle brake engagement must be checked every time the mower belt tension is adjusted or belt damage may occur.

1. Park machine safely. (See Parking Safely in the Safety Section.)
2. Place mower deck in lowest setting.
3. Engage PTO drive lever.



4. Measure distance from bracket (A) to washer (B) on tension rod (C).
 - Distance (D) should be: 20 - 25 mm (0.78 - 0.98 in).
5. Continue with the following steps, if adjustment is required.
6. Disengage PTO lever.



CAUTION: Avoid injury! Spring is under tension. Do not remove tensioning spring when adjusting mower belt tension.

7. Remove spring locking pin and washer (E) and disconnect tension rod from blade drive arm.
8. Loosen lock nut (F).
9. Turn fitting on tension rod clockwise to shorten and counterclockwise to lengthen effective rod length.
10. Tighten lock nut (F) to 27 N•m (20 lb-ft).
11. Assemble tension rod and recheck dimension (D).
12. Check spindle brake clearance.

Adjusting Spindle Brake



CAUTION: Avoid injury! Rotating blades are dangerous. Mower blades must stop within 5 seconds after mower is turned off. Check spindle brake measurement every 25 hours or once a year (whichever comes first).

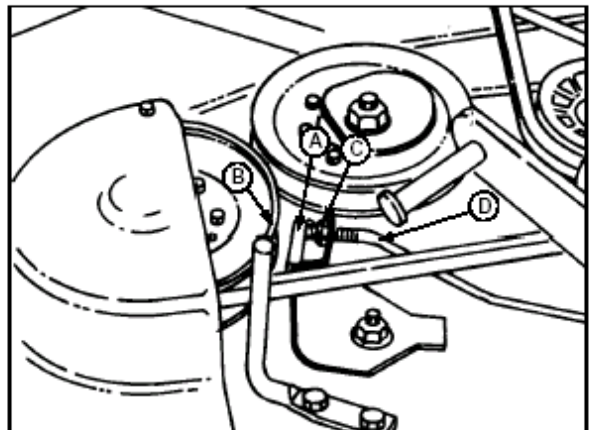
IMPORTANT: Avoid damage! Avoid belt damage.

Spindle brake engagement must be checked and corrected every time the mower belt tension is adjusted.

Mower belt tension should be adjusted, if required, BEFORE brakes are adjusted.

1. Park machine safely. (See Parking Safely in the Safety Section.)
2. Place mower deck in lowest setting.
3. Engage PTO drive lever.
4. Check mower belt tension and adjust, if necessary.
5. Remove belt guard.

IMPORTANT: Avoid damage! ALL brakes MUST be adjusted. There are TWO spindle brakes on the 38 and 42-Inch decks, and THREE spindle brakes on the 46-Inch deck.



6. Measure distance from brake surface (A) to pulley braking surface (B). Brake to Pulley Distance should be: 2 - 3 mm (0.08 - 0.12 in).
7. If adjustment is required, turn nut (C) on end of brake rod (D) in correct direction to set brake at proper distance from pulley.
8. Repeat on all brakes.
9. Install belt guard.