

**Lawn Tractors
LX266, LX277, LX277AWS, LX279 and
LX288**

OMM148972 I2

SERVICE MOWER - FREEDOM42

Removing Mower



CAUTION: Avoid injury! Rotating blades are dangerous. Before adjusting or servicing mower:

- Disconnect spark plug wire(s) to prevent engine from starting accidentally.
- Always wear gloves when handling mower blades or working near blades.

1. Park machine safely. (See Parking Safely in the SAFETY section.)
2. Put lift lever in the transport position.
3. Turn mower height control knob to "0" position.

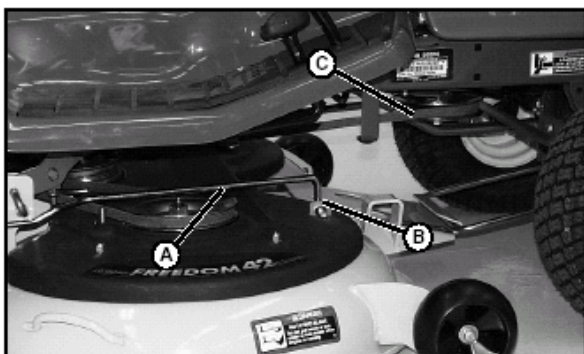


CAUTION: Avoid injury! Lift lever is spring-assisted and may have unexpected movement. Lock the lift lever in forward position before removing or installing the mower.

4. Lock the lift lever in forward position.

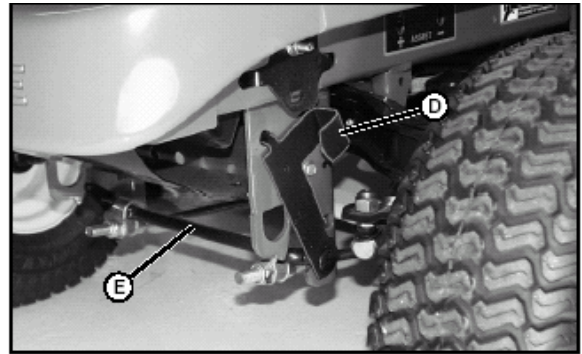


CAUTION: Avoid injury! Belt tension rod is spring-assisted and under tension. Keep a secure grasp on rod at all times while releasing or applying drive belt tension.



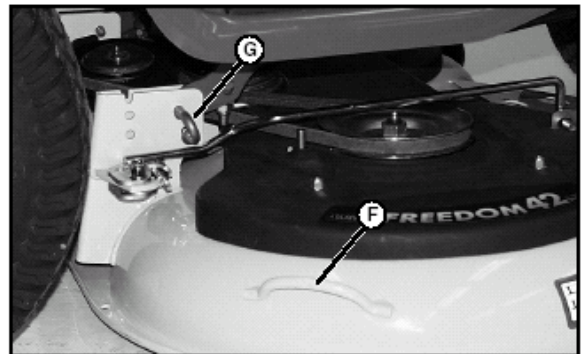
MX0237

5. Remove drive belt tension:
 - a. Grasp and hold tension rod (A) securely.
 - b. Disengage rod from retaining bracket (B).
 - c. Move rod as far as possible toward rear wheel to remove all belt tension.
6. Hold tension rod in the released position. Remove mower drive belt (C) from engine drive sheave.
7. Move tension rod to the latched position.



M95976

8. Pull out and push down on lever (D) to release front lift rod assembly.
9. Remove front lift rod assembly (E) from machine and mower deck.



MX3862

10. Lift up on rear of mower using handle (F). Pull outward on J-pin (G) to disconnect draft arms. Repeat at other side.
11. Put lift lever in the transport position.
12. Slide mower deck out from under machine.

Installing Mower



CAUTION: Avoid injury! Rotating blades are dangerous. Before adjusting or servicing mower:

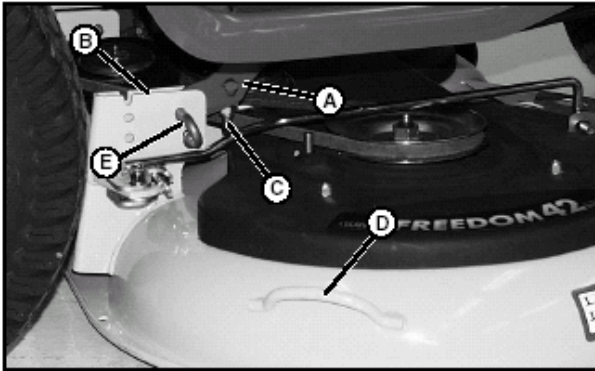
- Disconnect spark plug wire(s) to prevent engine from starting accidentally.
- Always wear gloves when handling mower blades or working near blades.

IMPORTANT: Avoid damage! If equipped, remove tire chains before installing mower to machine to prevent mower damage.

1. Park machine safely. (See Parking Safely in the SAFETY section.)
2. Put lift lever in the transport position.
3. Turn mower height control knob to "0" position.
4. Slide mower under machine.

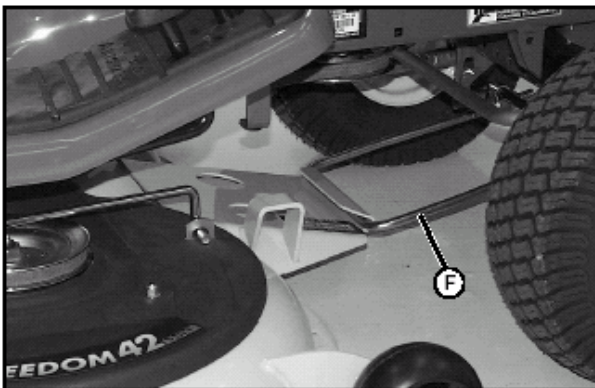
⚠ CAUTION: Avoid injury! Lift lever is spring-assisted and may have unexpected movement. Lock the lift lever in forward position before removing or installing the mower.

5. Lock the lift lever in forward position.



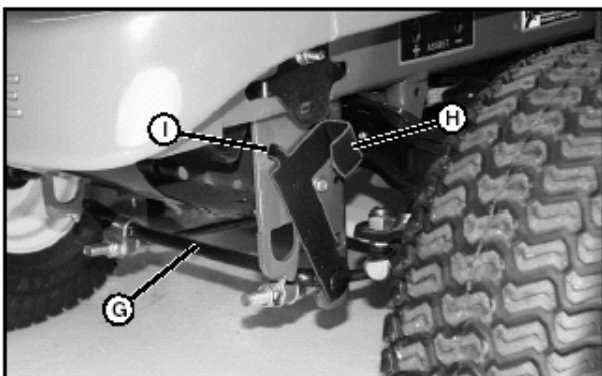
MX3862

6. Place lift arms (A) between mower lift brackets (B).
7. Make sure belt is routed to the inside of lift link (C).
8. Lift up on rear of mower using handle (D). Release J-pin (E) to connect mower deck to lift arms. Repeat at other side.



MX0240

9. Hook front lift rod assembly (F) into mower bracket.

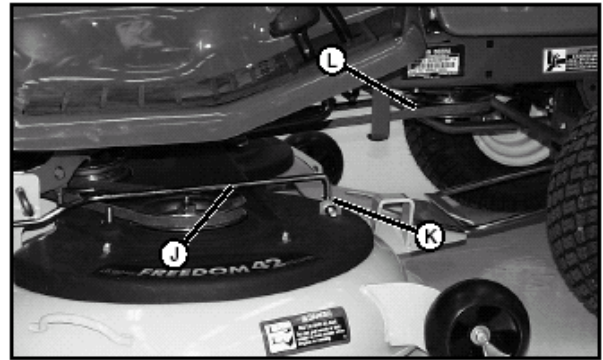


M95976

10. Place front lift rod (G) into frame hooks so lever (H) is at left side of machine. Make sure rod is seated in frame hooks.

11. Push up lever (H) until tab (I) locks into hole in frame.

⚠ CAUTION: Avoid injury! Drive belt tension rod is spring-assisted and under tension. Keep a secure grasp on rod at all times while releasing or applying drive belt tension.



MX0237

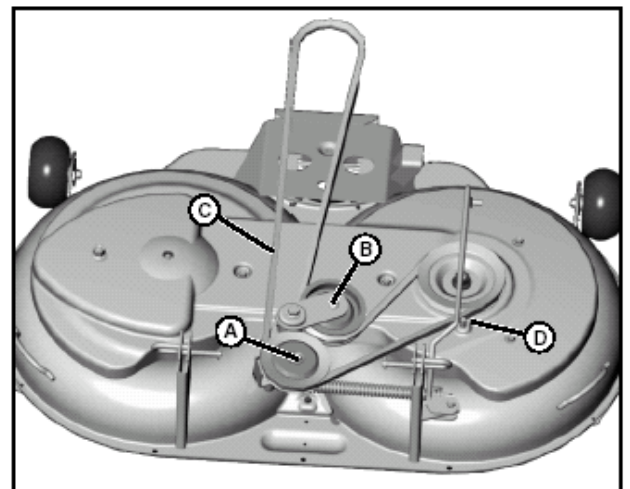
12. Remove drive belt tension rod (J) from bracket (K) and pivot rod clockwise as far as possible.
13. Hold tension rod in the released position. Install mower drive belt (L) onto engine drive sheave.

⚠ CAUTION: Avoid injury! Drive belt tension rod is spring-assisted and under tension. Keep a secure grasp on rod at all times while releasing or applying drive belt tension.

14. Pivot the drive belt tension rod toward front of machine to tighten drive belt. Hook tension rod into bracket on mower.
15. Adjust the lift assist spring if necessary.
16. Adjust mower level front-to-rear and side-to-side.
17. Adjust mower wheels for desired cutting height.

Replacing Mower Drive (Primary) Belt

1. Park machine safely. (See Parking Safely in the SAFETY section).
2. Remove mower deck.



MX0239

3. Loosen idler sheave (A) and tensioning sheave (B).

4. Remove drive belt (C).
5. Clean belt with a clean cloth.
6. Inspect belt for wear or damage. Replace as necessary.

IMPORTANT: Avoid damage! Make sure belt is routed to the inside of the belt guide.

7. Install belt to mower so it is routed to the inside of belt guide (D).
8. Tighten idler sheave and tensioning sheave.
9. Install the mower.

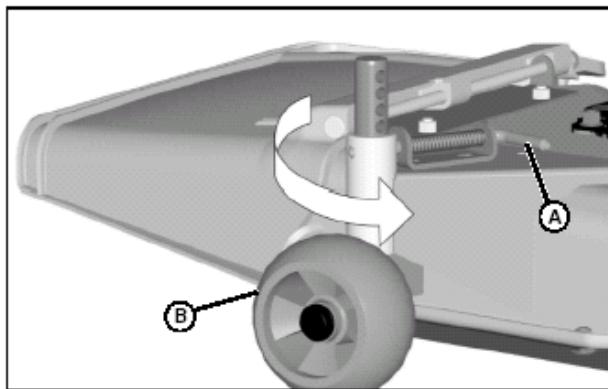
SERVICE MOWER - 42C, 48C, 54C

Removing Mower

CAUTION: Avoid injury! Rotating blades are dangerous. Before adjusting or servicing mower:

- Disconnect spark plug wire(s) to prevent engine from starting accidentally.
- Always wear gloves when handling mower blades or working near blades.

1. Park machine safely. (See Parking Safely in the SAFETY section.)
2. Put lift lever in the transport position.
3. Turn mower height control knob to "0" position.



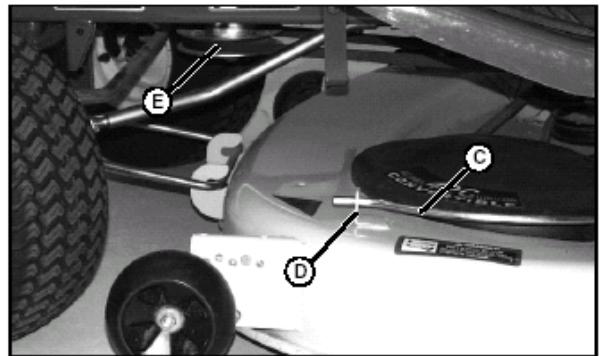
MX8331

4. 54C Mower Only - Rotate all mower wheels to allow mower deck to be rolled outward away from machine:
 - a. Pull out on pin (A).
 - b. Rotate mower wheel (B) 90° and align hole in wheel shaft with pin.
 - c. Release pin to lock mower wheel in rotated position.

CAUTION: Avoid injury! Lift lever is spring-assisted and may have unexpected movement. Lock the lift lever in forward position before removing or installing the mower.

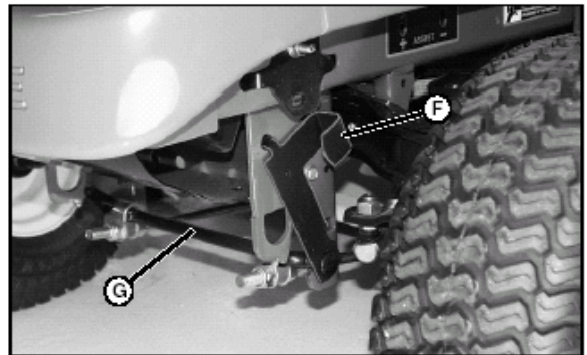
5. Lock the lift lever in forward position.

CAUTION: Avoid injury! Belt tension rod is spring-assisted and under tension. Keep a secure grasp on rod at all times while releasing or applying drive belt tension.



MX0068

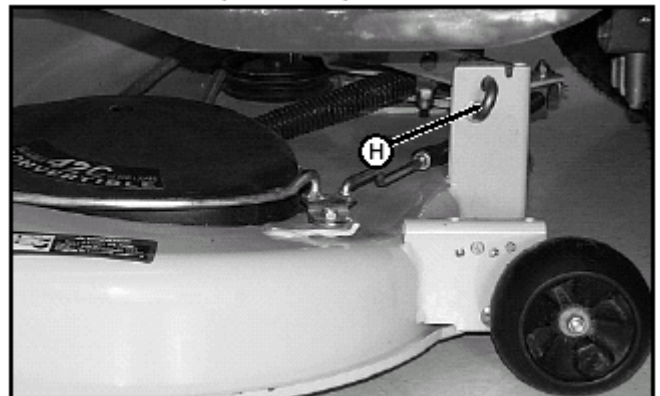
6. Remove drive belt tension:
 - a. Grasp and hold tension rod (C) securely.
 - b. Disengage rod from retaining bracket (D).
 - c. Move rod as far as possible toward rear wheel to remove all belt tension.
7. Hold tension rod in the released position. Remove mower drive belt (E) from engine drive sheave.
8. Move tension rod to the latched position.



M95976

9. Pull out and push down on lever (F) to release front lift rod assembly.
10. Remove front lift rod assembly (G) from machine and mower deck.

NOTE: It may be necessary to manually lift up on rear of mower deck to pull out J-pins.



11. Pull outward on J-pins (H) at both sides of mower to disconnect draft arms.

12. Put lift lever in the transport position.

13. Slide mower deck out from under machine. Remove 54C mower from right side only.

Installing Mower



CAUTION: Avoid injury! Rotating blades are dangerous. Before adjusting or servicing mower:

- Disconnect spark plug wire(s) to prevent engine from starting accidentally.
- Always wear gloves when handling mower blades or working near blades.

IMPORTANT: Avoid damage! If equipped, remove tire chains before installing mower to machine to prevent mower damage.

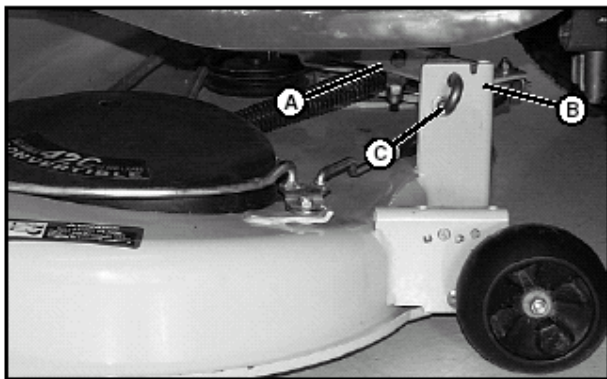
1. Park machine safely. (See Parking Safely in the SAFETY section.)
2. Put lift lever in the transport position.
3. Turn mower height control knob to "0" position.
4. Slide mower under machine.



CAUTION: Avoid injury! Lift lever is spring-assisted and may have unexpected movement.

Lock the lift lever in forward position before removing or installing the mower.

5. Lock the lift lever in forward position.



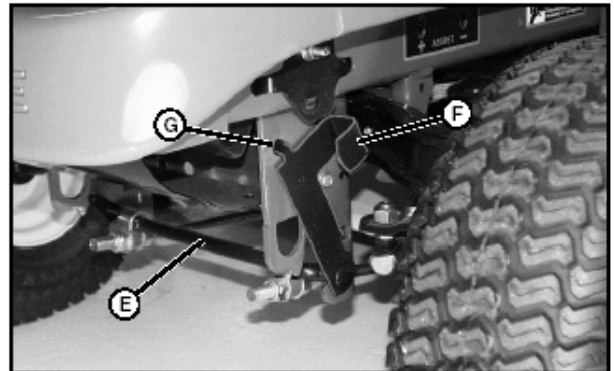
MX0069

6. Place lift arms (A) between mower lift brackets (B).
7. Release J-pin (C) to connect mower deck to lift arms. Repeat at other side.



MX0068

8. Hook front lift rod assembly (D) into mower bracket.



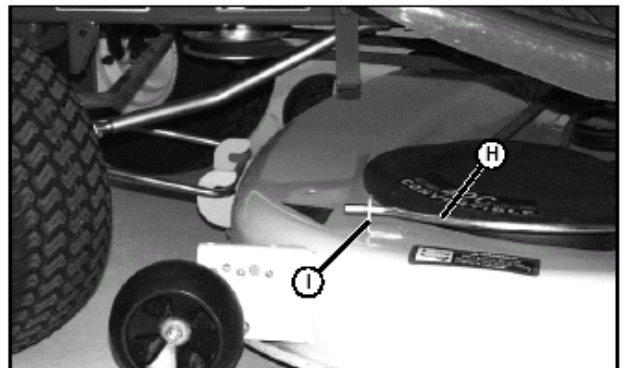
M95976

9. Place front lift rod (E) into frame hooks so lever (F) is at left side of machine. Make sure rod is seated in frame hooks.

10. Push up lever (F) until tab (G) locks into hole in frame.



CAUTION: Avoid injury! Drive belt tension rod is spring-assisted and under tension. Keep a secure grasp on rod at all times while releasing or applying drive belt tension.



MX0068

11. Remove drive belt tension rod (H) from bracket (I) and pivot rod as far as possible toward rear wheel to remove all belt tension.

12. Hold tension rod in the released position. Install mower drive belt (J) onto engine drive sheave.



CAUTION: Avoid injury! Drive belt tension rod is spring-assisted and under tension. Keep a secure grasp on rod at all times while releasing or applying drive belt tension.

13. Pivot the drive belt tension rod toward front of machine to tighten drive belt. Hook tension rod into bracket on mower.

14. 54C Mower Only - Rotate mower wheels to operating position.

15. Adjust the lift assist spring if necessary.

16. Adjust mower level front-to-rear and side-to-side.

17. Adjust mower wheels for desired cutting height.

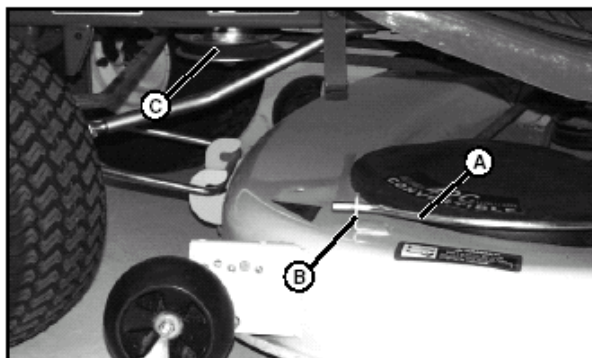
Replacing Mower Drive (Primary) Belt

1. Park machine safely. (See Parking Safely in the SAFETY section).

2. Lock mower deck in the forward position.



CAUTION: Avoid injury! Belt tension rod is spring-assisted and under tension. Keep a secure grasp on rod at all times while releasing or applying drive belt tension.



MX0068

3. Remove drive belt tension:

- Grasp and hold tension rod (A) securely.
- Disengage rod from retaining bracket (B).
- Move rod as far as possible toward rear wheel to remove all belt tension.

4. Hold tension rod in the released position.

5. Remove mower drive belt (C) from engine drive sheave and mower drive sheave.

6. Clean belt with a clean cloth.

7. Inspect belt for wear or damage. Replace as necessary.

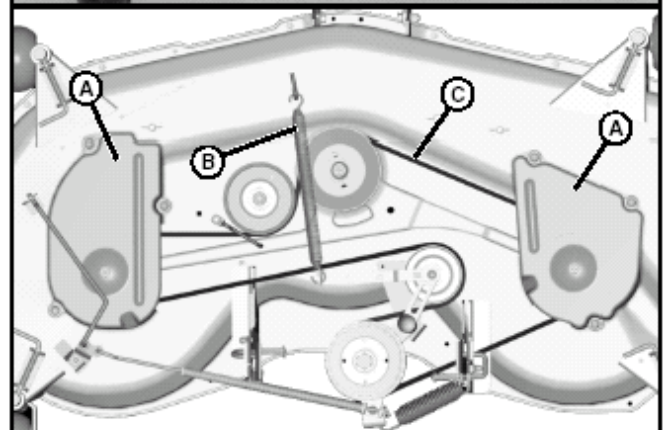
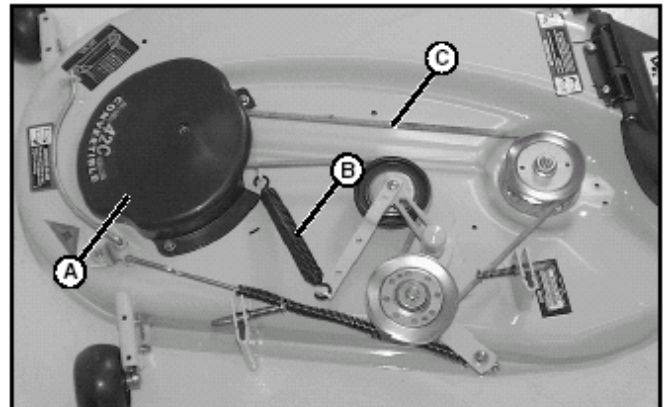
8. Install belt on mower sheave and engine sheave.

9. Pivot the drive belt tension rod toward front of machine to tighten drive belt. Hook tension rod into bracket on mower.

Replacing Mower Deck (Secondary) Belt

1. Park machine safely. (See Parking Safely in the SAFETY section).

2. Remove mower deck.



M97146 MX8378

Picture Note: 42C shown upper, 48C and 54C shown lower.

3. Remove belt shields (A).



CAUTION: Avoid injury! Springs are installed under tension. Use caution when attaching or disconnecting springs. Wear eye protection.

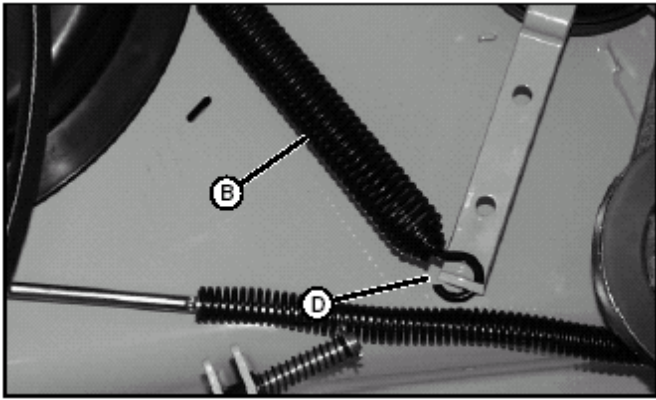
4. Disconnect idler spring (B).

5. Remove mower belt (C).

6. Clean upper mower deck and sheaves.

7. Inspect belt for wear and damage. Replace if necessary.

8. Install belt on mower.



M97149

9. Connect idler spring (B). Make sure open end (D) of the spring hook faces outward on the idler arm.

10. Install belt shields.

11. Install mower to machine.