

# Lawn Tractors LT133, LT155 and LT166

OMM142698 I0

## Removing Mower

1. Park vehicle safely. (See Parking Safely in Safety Section.) Allow engine and muffler to cool completely.



**CAUTION: Avoid injury! Rotating blades are dangerous. Before adjusting or servicing mower:**

- Disconnect spark plug wire(s) to prevent engine from starting accidentally.
- Always wear gloves when handling mower blades or working near blades.

2. Adjust mower cutting height to 25 mm (1 in).

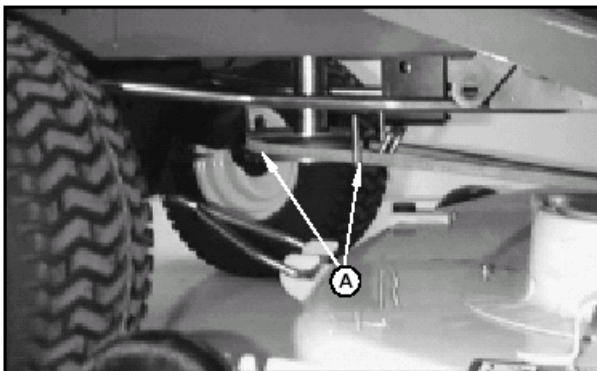
3. Put wood blocks under each side of mower.



**CAUTION: Avoid injury! Lift lever is spring-assisted and may have unexpected movement.**

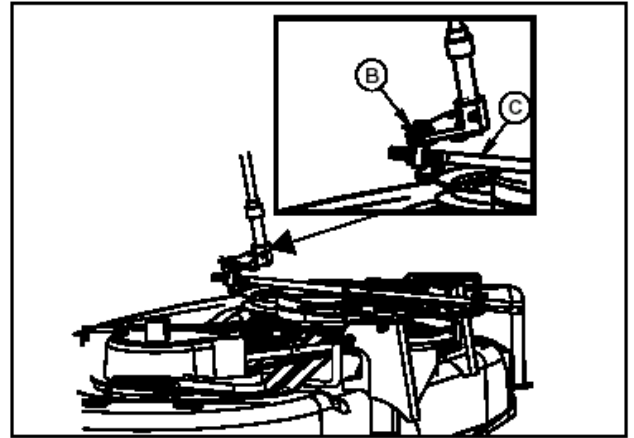
**Put the lift lever in the mowing position before removing or installing the mower.**

4. Put lift lever in mowing position, bringing deck down onto blocks.

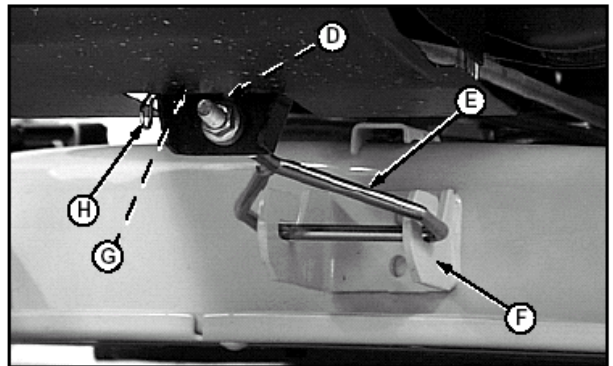


**Picture Note: 38-Inch mower deck is used for photo purposes throughout this procedure.**

5. Remove belt from engine drive sheave and belt guides (A).

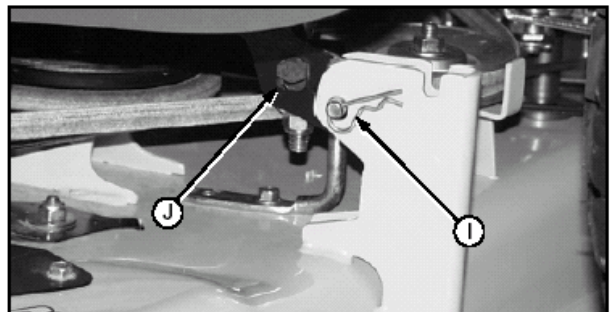


6. Remove spring locking pin and washer (B) to remove adjustment link and engagement rod (C) from arm.



7. Remove spring locking pin (H) and long drilled pin (G) from front of mower.

8. Remove front draft rod (E) from tractor bracket hole (D) first, then front mower bracket (F).



9. Remove spring locking pin and drilled pin (I) from both rear draft arms (J) and mounting brackets.

10. Move lift lever to the transport position to raise rear draft arms.

11. Remove wood blocks from both sides and slide mower out from under the tractor.

## Installing Mower

1. Park vehicle safely. (See Parking Safely in Safety Section.) Allow engine and muffler to cool completely.

2. Check that mower cutting height knob is set at 25 mm (1 in).

3. Put lift lever in transport position.



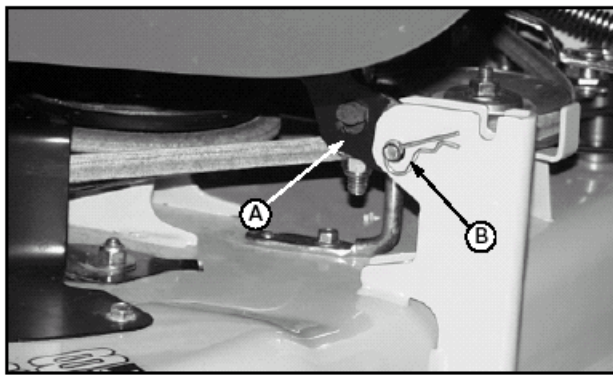
**CAUTION: Avoid injury! Rotating blades are dangerous. Before adjusting or servicing mower:**

- Disconnect spark plug wire(s) to prevent engine from starting accidentally.
- Always wear gloves when handling mower blades or working near blades.

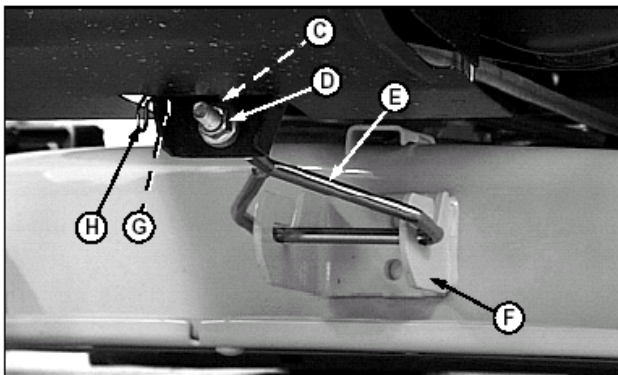
- Slide mower under the tractor.
- Put wood blocks under each side of mower deck.



**CAUTION: Avoid injury! Lift lever is spring-assisted and may have unexpected movement. Put the lift lever in the mowing position before removing or installing the mower.**

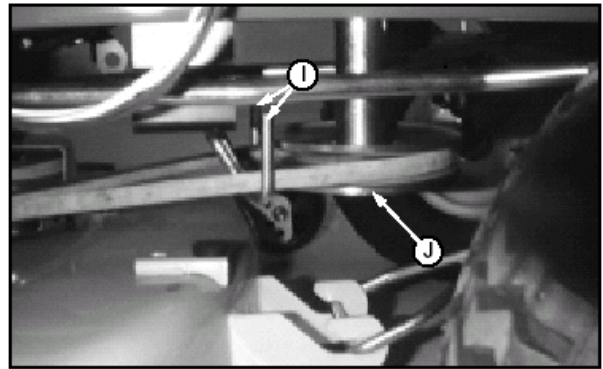


- Move lift lever to the mowing position to lower mower rear draft arms (A).
- Fasten rear draft arms to mower mounting brackets with drilled pins and spring locking pins (B), on both sides of mower. Push spring locking pin all the way through as shown.

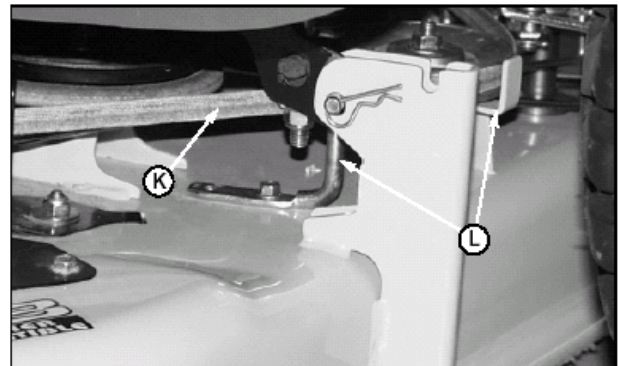


- Install front draft rod (E) into front mower bracket (F) first, then tractor bracket top hole (C). Make sure rounded bushing (D) is on front side of tractor bracket.
- Install long drilled pin (G) and fasten with spring locking pin (H).

**IMPORTANT: Avoid damage! The belt will be damaged if installed wrong. Route the belt properly through belt guides.**

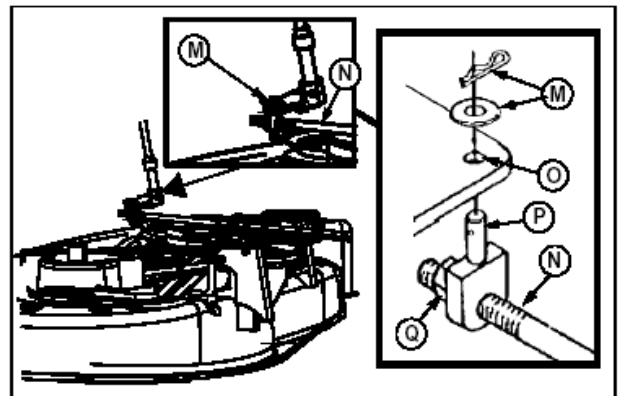


- Put mower drive belt on engine drive sheave (J). Make sure belt is routed through both belt guide loops (I).



- Check to make sure belt (K) is on all sheaves and idlers and is inside all belt guides (L).
- Remove wood blocks from both sides of mower.
- Move lift lever to mowing position and make sure mower engagement lever is pulled back into stop position.
- Make sure mower is at lowest possible cutting height and that gauge wheels are not touching the ground.

**IMPORTANT: Avoid damage! If the mower engagement rod is not adjusted properly, the mower belt may slip or drag on blade sheave resulting in belt damage.**





15. Check to see if adjustment pin (P) lines up with mower engagement arm hole (O).

- If pin does not line up, loosen lock nut (Q) and turn pin until pin slips freely into hole. Tighten lock nut.

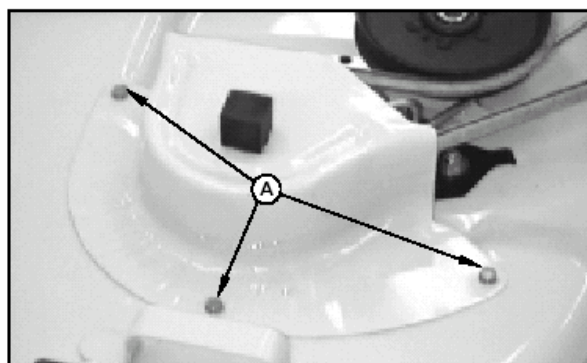
16. Fasten adjustment pin (P) to mower arm with washer and spring locking pin (M).

17. Level mower.

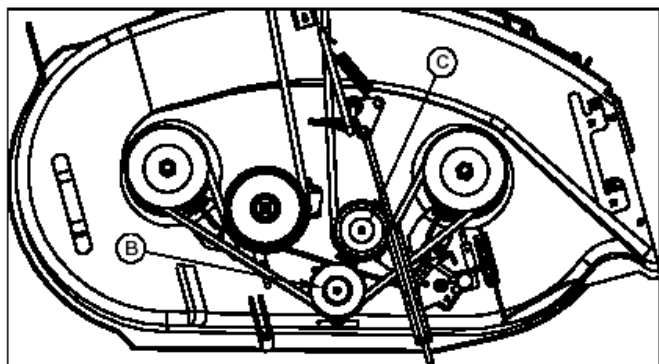
### Replacing Mower Drive Belt (38-Inch Mower)

**NOTE:** In this procedure the mower deck is removed for easier access. However, it is NOT necessary to remove deck when replacing belt.

1. Park tractor safely. Allow engine and muffler to cool completely.
2. Remove mower if desired.



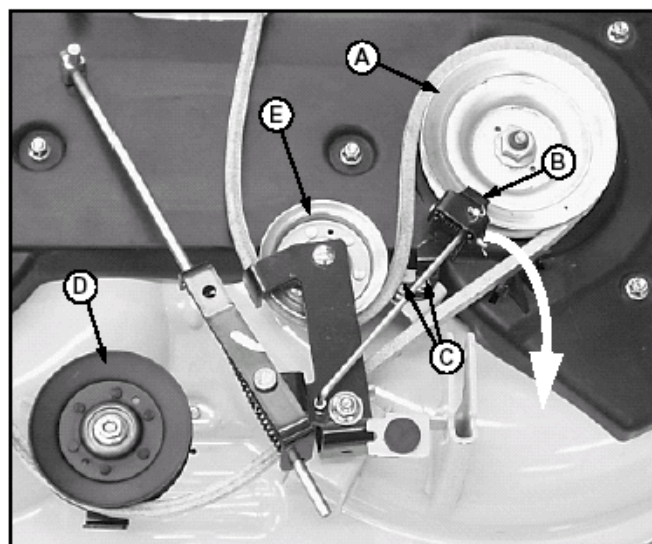
3. Remove three cap screws (A) and belt shield.



4. Loosen rear idler (B) and tensioning sheave (C).
5. Remove mower belt.
6. Clean top of mower.
7. Install new belt on mower as shown above.
8. Tighten rear idler and tensioning sheave.
9. Install belt shield and fasten with three cap screws.
10. Install mower deck and adjust mower engagement rod, if necessary.

### Replacing Mower Drive Belt (Freedom 42)

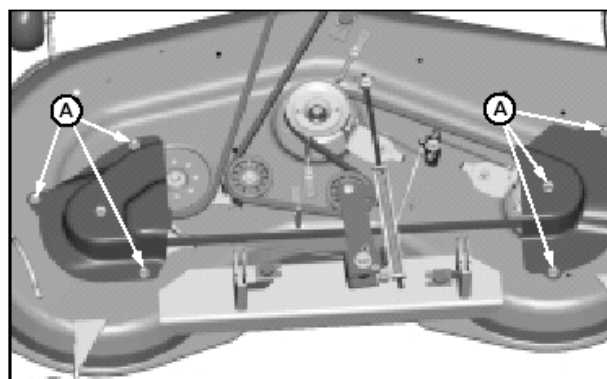
1. Park machine safely. Allow engine and muffler to cool completely.
2. Remove mower.



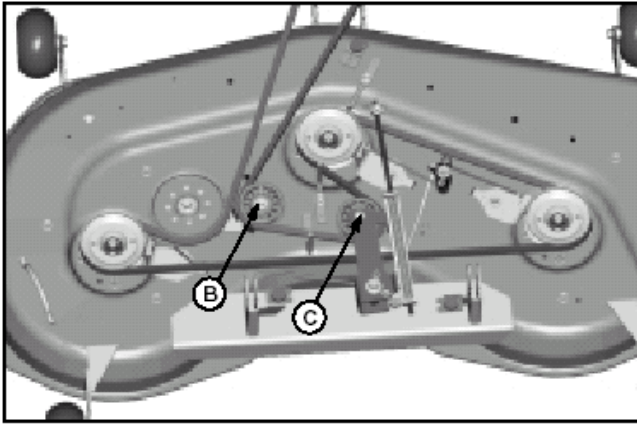
3. Remove self-tapping cap screws (C).
4. Move brake assembly (B) away from sheave (A) and drive belt.
5. Loosen idler (D) and tensioning idler (E) just enough to slip belt past the guides.
6. Remove drive belt and clean top of mower.
7. Install new belt on mower deck as shown.
8. Tighten idler (D) and tensioning idler (E).
9. Align brake assembly (B) with right spindle sheave (A) and fasten with self-tapping cap screws (C). Brake pad must seat against top of sheave.
10. Install mower and adjust mower engagement rod, if necessary.

### Replacing Mower Drive Belt (48C Deck)

1. Park tractor safely. Allow engine and muffler to cool completely.
2. Remove mower deck.



3. Remove six cap screws (A) and left and right belt shields.



4. Loosen sheaves (B) and (C).
5. Remove mower belt.
6. Clean top of mower deck and sheaves.
7. Inspect belt for wear or damage; replace as necessary.
8. Install belt on mower deck as shown.
9. Tighten sheaves.
10. Install belt shields and fasten with six cap screws.
11. Install mower deck and adjust mower engagement rod, if necessary.
12. Move lift lever to transport position.