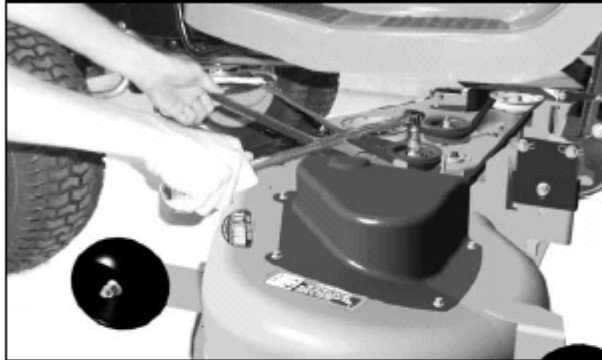


**Lawn Tractors
L100, L110, L118, L120 and L130**

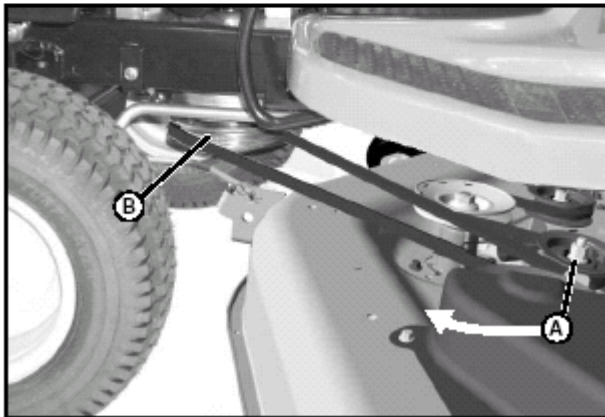
OMGX21647 K3

**Installing or Removing Mower Drive Belt at
Engine Drive Sheave (122 cm (48 in.) Deck)**

NOTE: This procedure is for easy installing and removing.



MX10523Y



MX10520Y

1. Put lift lever in lowest position.
2. Put a 15mm closed wrench or a socket on the idler sheave nut (A), move idler sheave toward front of tractor and hold to release belt tension.
3. Install the belt on the drive sheave (B).
4. Release idler sheave to tighten belt.
5. Use same procedure to remove belt.

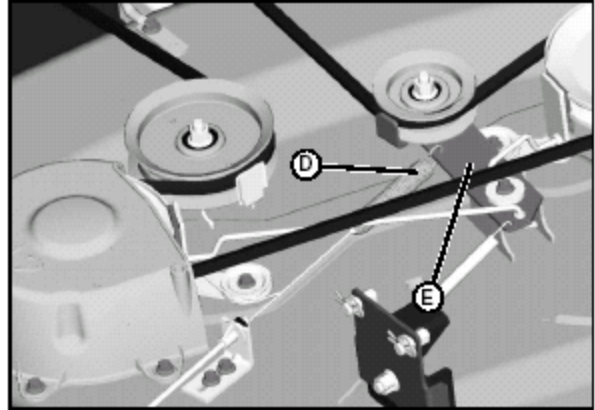
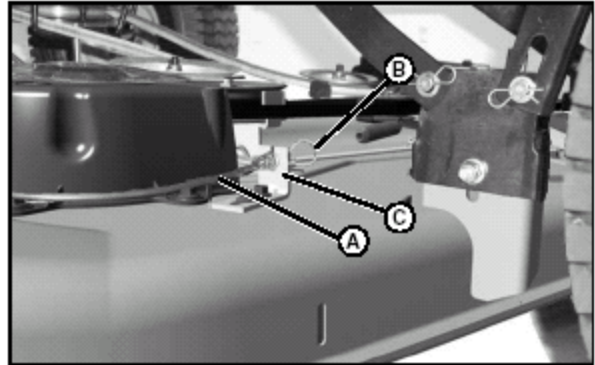
Removing Mower

1. Park machine safely. (See Parking Safely in SAFETY section.)
2. Put wood blocks under each side of mower deck.
3. Put lift lever in lowest position, bringing deck down onto blocks.



CAUTION: Avoid injury! Rotating blades are dangerous. Before adjusting or servicing mower:

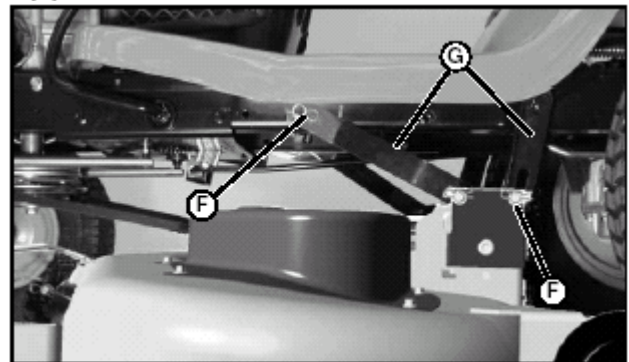
- Disconnect spark plug wire(s) or battery negative (-) cable to prevent engine from starting accidentally.
- Always wear gloves when handling mower blades or working near blades.



MX10517Y; MX7681

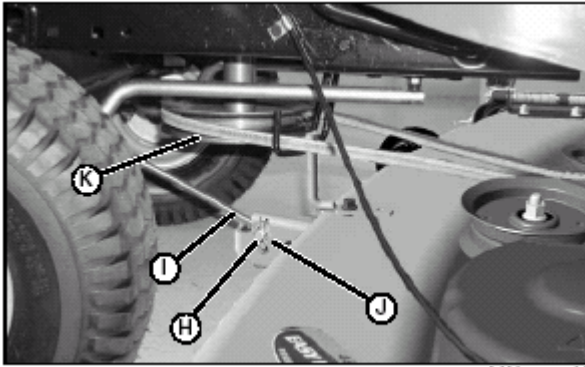
Picture Note: 107 cm (42 in.) only.

4. On machines with 107 cm (42 in.), disconnect PTO drive cable (A).
 - a. Remove spring locking pin (B), pull and hold PTO drive cable out, lift up and remove from bracket (C).
 - b. Remove cable spring (D) from idler sheave bracket (E).



MX10516Y

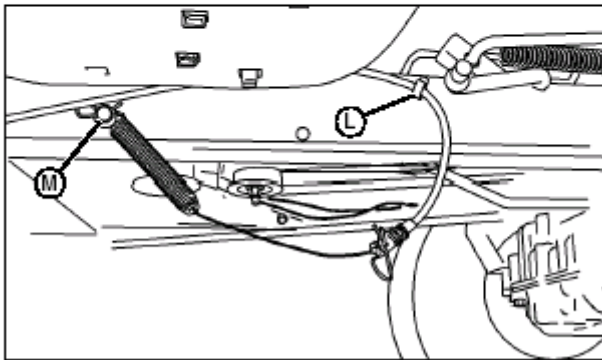
5. Remove spring locking pins and washers (F) and disconnect rear draft arms (G), two on each side.



MX10521Y

Picture Note: 107 cm (42 in.) shown.

6. Remove spring locking pin and washer (H) and front draft rod (I) from mower deck bracket (J).
7. Remove mower drive belt from drive sheave (K).
8. Remove wood blocks from both sides and slide mower out from under the machine.
9. When operating the machine without the mower deck:
 - Remove rear draft arms and front draft rod from tractor and attach them to the mower deck.



MX10514

- On 107 cm (42 in.) only: Push PTO drive cable into clip (L) and hook end of cable spring with hardware (M) into peg on left side of machine frame.

Installing Mower

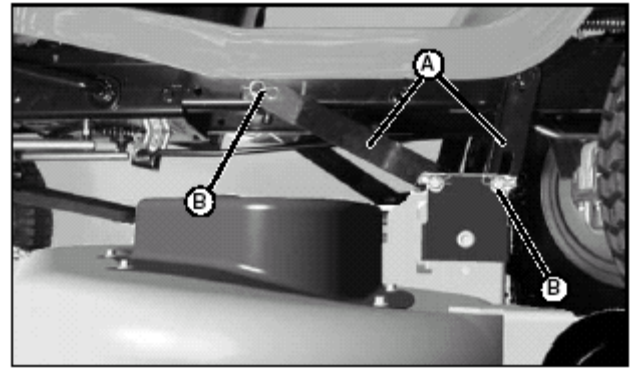
1. Park machine safely. (See Parking Safely in SAFETY section.)



CAUTION: Avoid injury! Rotating blades are dangerous. Before adjusting or servicing mower:

- Disconnect spark plug wire(s) or battery negative (-) cable to prevent engine from starting accidentally.
- Always wear gloves when handling mower blades or working near blades.

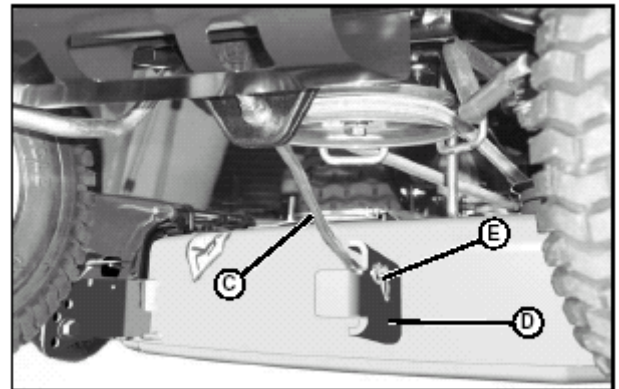
2. Put lift lever in the transport position.
3. Slide mower under machine.
4. Put wood blocks under each side of mower deck.
5. Put lift lever in lowest position.



MX10516Y

6. Fasten rear draft arms (A), two on each side, with washers and spring locking pins (B).

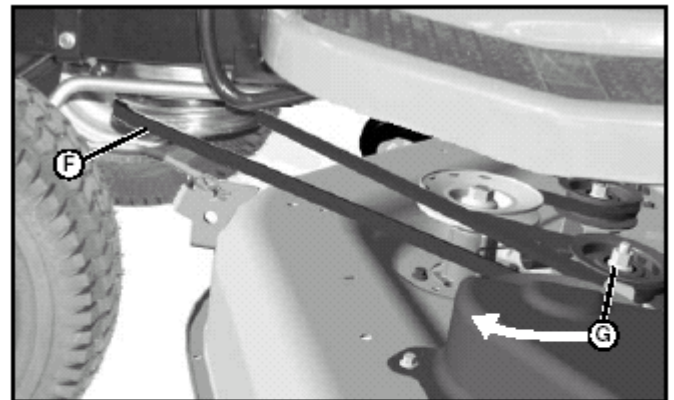
IMPORTANT: Avoid damage! To prevent clutch damage, make sure front draft rod is installed correctly. Secure rod with washer and spring locking pin on the left side of mower deck bracket.



MX10529AY

Picture Note: 107 cm (42 in.) used for photo purposes.

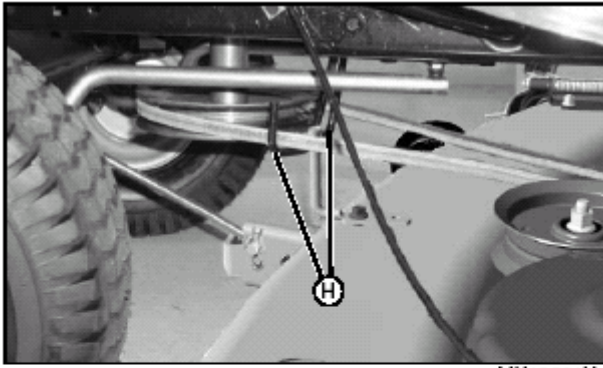
7. Install front draft rod (C) into mower deck bracket (D) and secure with washer and spring locking pin (E) on the left side of bracket as shown.



MX10520Y

Picture Note: 122 cm (48 in.) used for photo purposes.

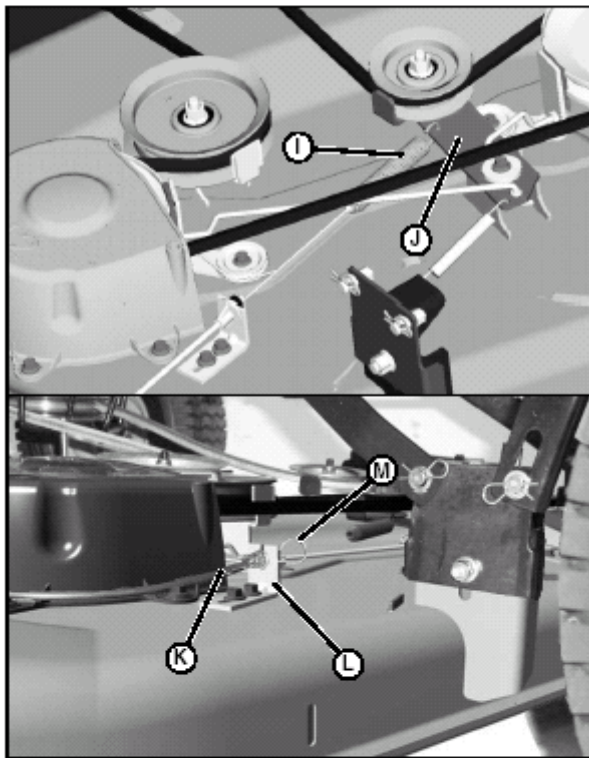
8. Put mower drive belt on engine drive sheave (F).
 - On 122 cm (48 in.): Move idler sheave (G) and tensioning arm toward front of tractor and hold while installing belt on drive sheave.



MX10521Y

- On 107 cm (42 in.): Make sure belt is routed through both belt guides (H).

9. Remove wood blocks from both sides of mower deck.
10. On machines with 107 cm (42 in.): Attach PTO drive cable.



MX7681; MX10517Y

Picture Note: 107 cm (42 in.) only.

- a. Route cable under mower belt and brake rod and attach cable spring (I) to idler sheave bracket (J).
- b. Pull out on cable (K), align black end of cable with slot in bracket (L) and release cable into slot. Secure with spring locking pin (M).

11. Level mower.

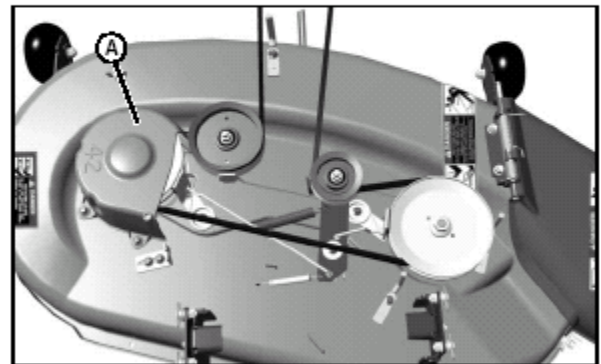
Replacing Mower Drive Belt (107 cm (42 in.) Deck)



CAUTION: Avoid injury! Rotating blades are dangerous. Before adjusting or servicing mower:

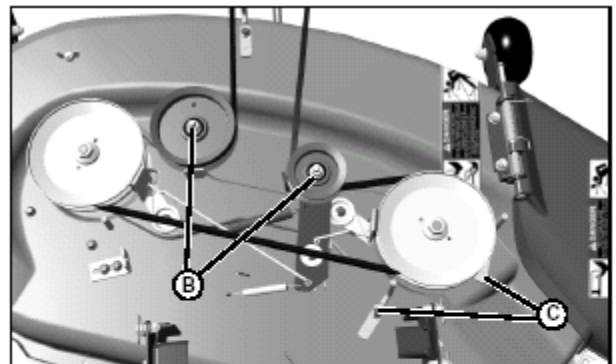
- Disconnect spark plug wire(s) or battery negative (-) cable to prevent engine from starting accidentally.
- Always wear gloves when handling mower blades or working near blades.

1. Park machine safely. (See Parking Safely in the SAFETY section.)
2. Remove mower deck.
3. Remove drive belt.



MX10511

- a. Remove three capscrews and belt shield (A).



MX10512

- b. Loosen sheaves (B) and belt guides (C).
- c. Remove mower belt.

4. Inspect belt for wear or damage; replace as necessary.
5. Clean top surface of mower deck and sheaves.
6. Install belt on mower deck as shown. Make sure belt is in the groove of each sheave and inside belt guides (C).
7. Tighten sheaves to 47 N•m (35 lb-ft).
8. Install belt shield.
9. Install mower deck.
10. Adjust mower belt tension and spindle brakes, if necessary.

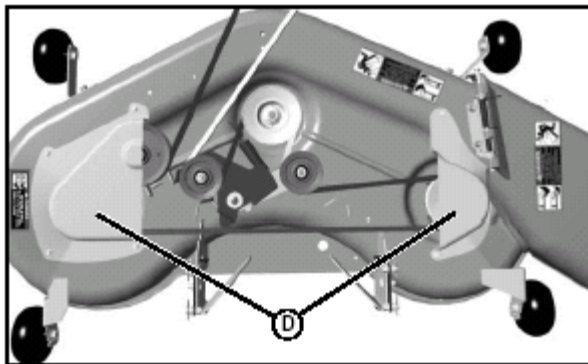
Replacing Mower Drive Belt (122 cm (48 in.) Deck)



CAUTION: Avoid injury! Rotating blades are dangerous. Before adjusting or servicing mower:

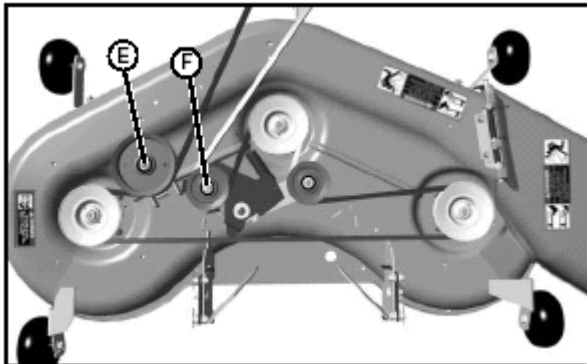
- Disconnect spark plug wire(s) or battery negative (-) cable to prevent engine from starting accidentally.
- Always wear gloves when handling mower blades or working near blades.

1. Park machine safely. (See Parking Safely in SAFETY section.)
2. Remove mower deck.
3. Remove drive belt.



MX10505

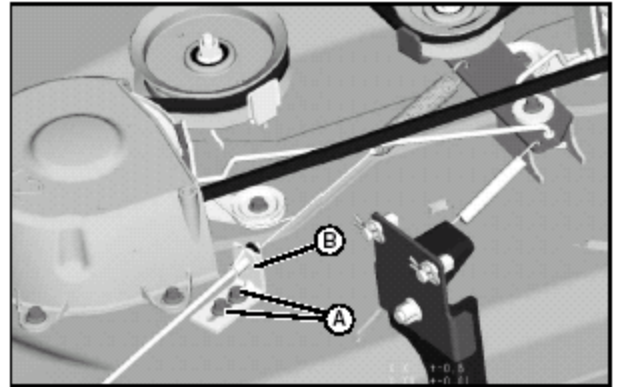
- a. Remove seven capscrews and left and right belt shields (D).



MX10506

- b. Loosen sheaves (E) and (F).
 - c. Remove mower belt.
4. Inspect belt for wear or damage; replace as necessary.
 5. Clean top surface of mower deck and sheaves.
 6. Install belt on mower deck as shown. Make sure belt is in the groove of each sheave.
 7. Tighten sheaves to 47 N•m (35 lb-ft).
 8. Install belt shield(s).
 9. Install mower deck.

Adjusting Mower Belt Tension (107 cm (42 in.) Deck)



MX7681

1. Park machine safely. (See Parking Safely in the SAFETY section.)
2. Loosen nuts (A) and move cable bracket (B) away from the center of deck to tighten belt tension. Tighten nuts.