

How to Replace Mower Drive Belts – LA 100 Series Tractors (42-in, 48-in, 54-in.)

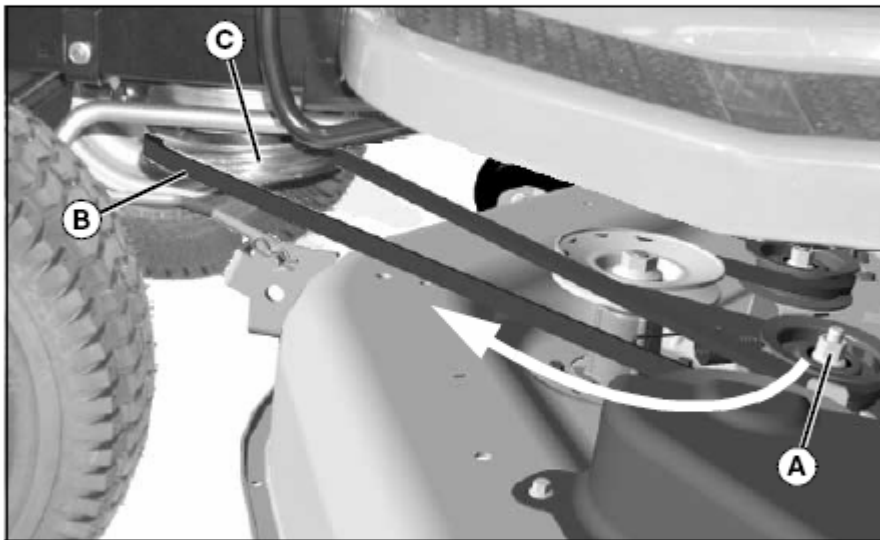
LA100 LA110 LA120 LA130 LA140 LA150
OMGX22464 J6

Removing or Installing Mower Drive Belt at Engine Drive Sheave (122 cm (48 in.) and 137 cm (54 in.) Mower Deck)

1. Park machine safely. (See Parking Safely in SAFETY section.)
2. Put lift lever in lowest position.



CAUTION: Avoid injury! Component is spring-assisted and under tension. Injury can occur if spring-assisted component is released suddenly.



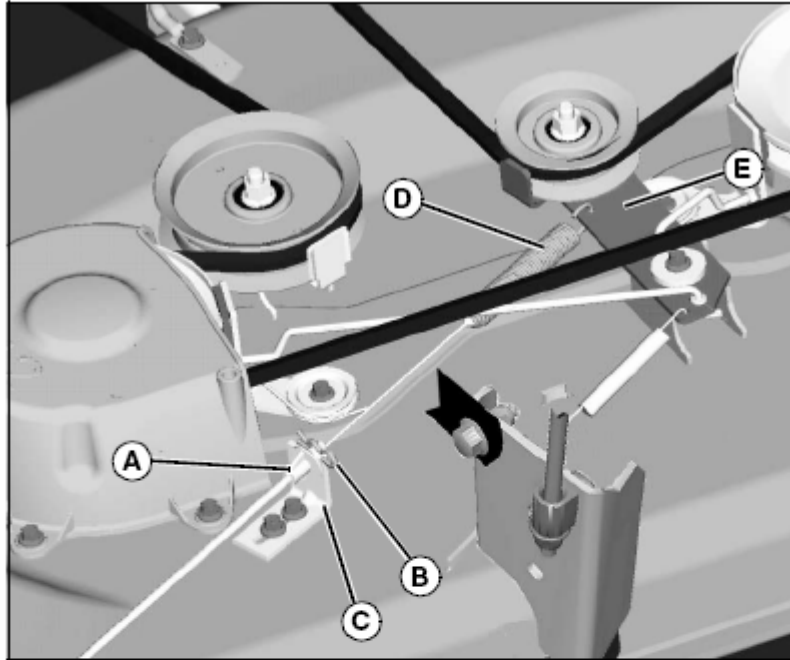
MX10520Y

3. Put a 15 mm closed wrench or a socket on the idler sheave nut (A) and rotate clockwise to move idler sheave toward front of tractor and hold to release belt tension.
4. Remove belt (B) from drive sheave (C), and release tension on sheave nut (A).
5. To install the belt on the drive sheave, rotate idler sheave nut clockwise to move idler sheave toward front of tractor, and install belt on drive sheave.
6. Release idler sheave nut to tighten belt.

How to Replace Mower Drive Belts – LA 100 Series Tractors (42-in, 48-in, 54-in.)

Removing Mower Deck

1. Park machine safely. (See Parking Safely in SAFETY section.)
2. Put wood blocks under each side of mower deck.
3. Put attachment lift lever in lowest position, bringing mower deck down onto blocks.



MX7681a

Picture Note: 107 cm (42 in.) mower deck only.

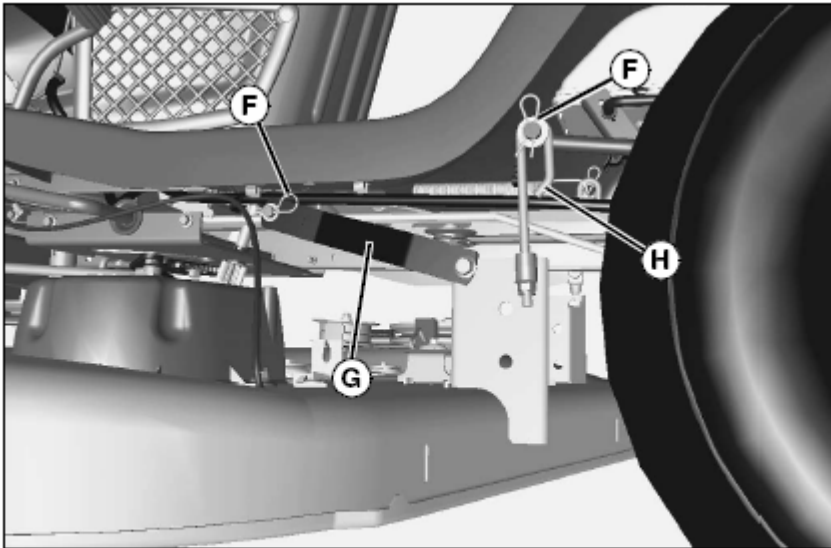
4. On machines with 107 cm (42 in.), disconnect mower engagement drive cable (A) on left side of mower deck.
 - a. Remove spring locking pin (B), pull and hold mower engagement drive cable out, lift up and remove from bracket (C).
 - b. Remove cable spring (D) from idler sheave bracket (E).



CAUTION: Avoid injury! Mower lift arms can pinch fingers. Lift arms are spring loaded and can snap back when deck is removed.

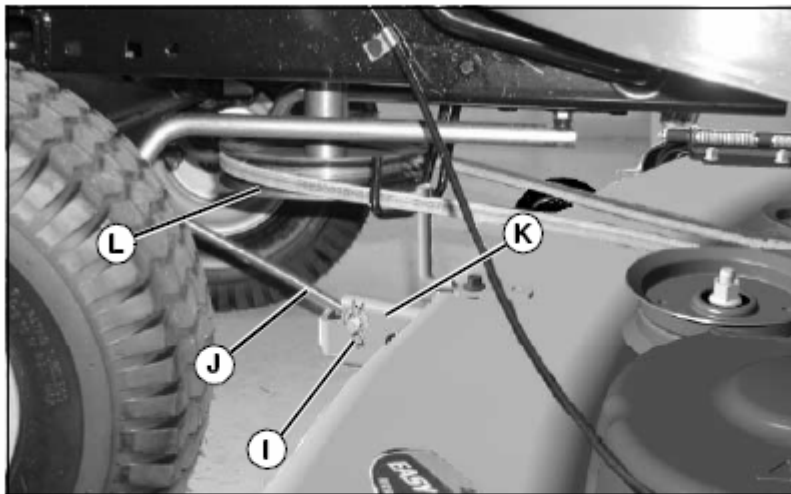
Lock lift lever before pulling pin to remove mower deck.

How to Replace Mower Drive Belts – LA 100 Series Tractors (42-in, 48-in, 54-in.)



MX16568

5. Remove spring locking pins and washers (F) and disconnect rear draft arm (G) and adjustable lift links (H) on each side.



MX10521Y

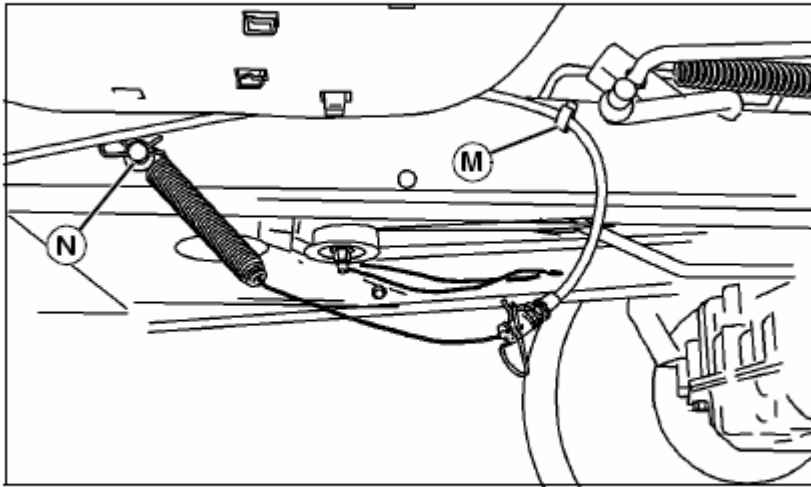
Picture Note: 107 cm (42 in.) mower deck shown.

6. Remove spring locking pin and washer (I) and front draft rod (J) from mower deck bracket (K).
7. Remove mower drive belt from drive sheave (L).
8. Remove wood blocks from both sides and slide mower deck out from under the machine.

How to Replace Mower Drive Belts – LA 100 Series Tractors (42-in, 48-in, 54-in.)

9. When operating the machine without the mower deck:

- Remove front draft rod from machine and attach it to the mower deck.



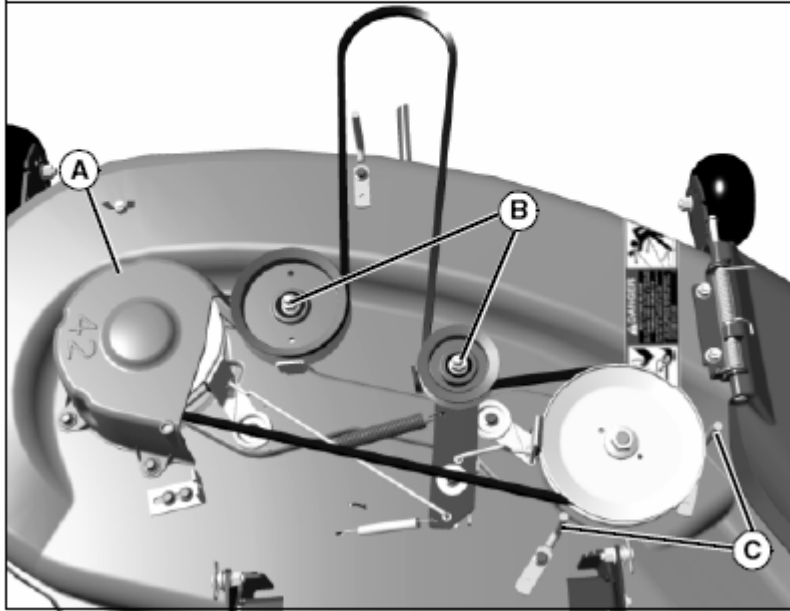
MX10514

- On 107 cm (42 in.) mower deck only: Push mower engagement drive cable into clip (M) and hook end of cable spring with hardware (N) into peg on left side of machine frame.

How to Replace Mower Drive Belts – LA 100 Series Tractors (42-in, 48-in, 54-in.)

Replacing Mower Drive Belt (107 cm (42 in.) Mower Deck)

1. Park machine safely. (See Parking Safely in the SAFETY section.)
2. Remove mower deck.
3. Remove drive belt.



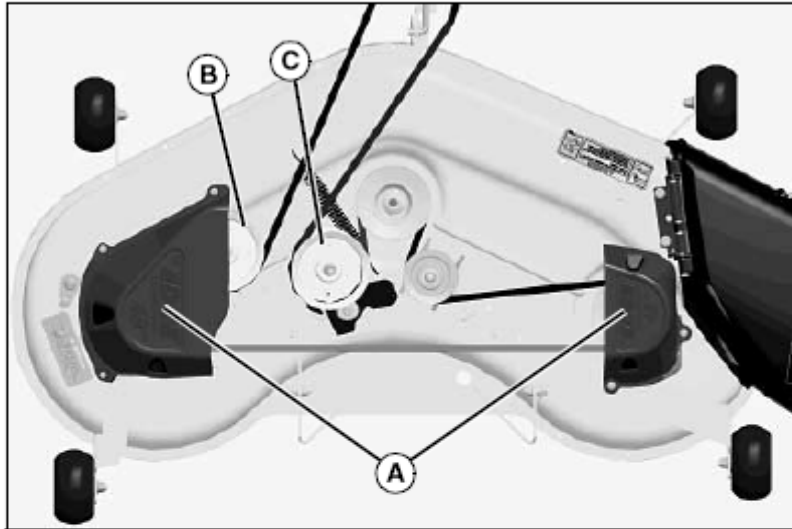
MX10511

- a. Remove three capscrews and belt shield (A).
 - b. Loosen sheaves (B) and belt guides (C).
 - c. Remove mower belt.
4. Inspect belt for wear or damage; replace as necessary.
 5. Clean top surface of mower deck and sheaves.
 6. Install belt on mower deck as shown. Make sure belt is in the groove of each sheave and inside belt guides (C).
 7. Tighten sheaves to 47 N•m (35 lb-ft).
 8. Install belt shield.
 9. Install mower deck.
 10. Adjust mower belt tension and spindle brakes, if necessary.

How to Replace Mower Drive Belts – LA 100 Series Tractors (42-in, 48-in, 54-in.)

Replacing Mower Drive Belt (122 cm (48 in.) and 137 cm (54 in.) Mower Decks)

1. Park machine safely. (See Parking Safely in SAFETY section.)
2. Remove mower deck.



MX38398

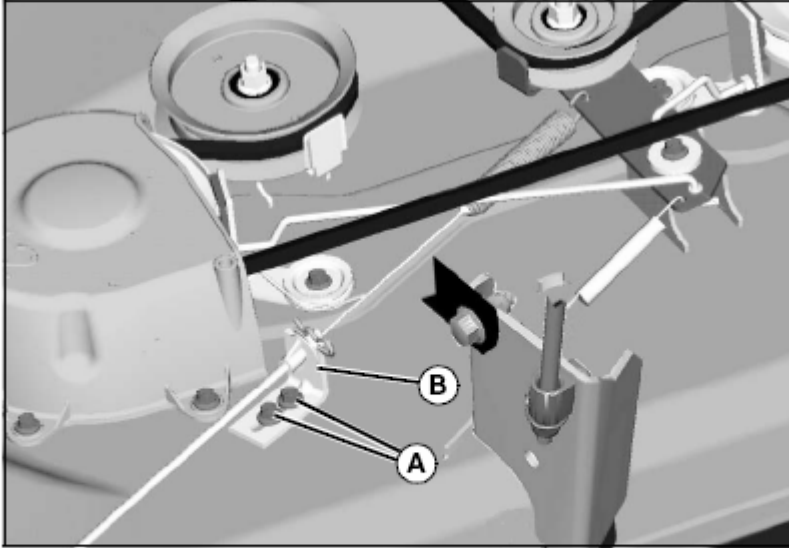
Picture Note: 122 cm (48 in.) mower deck shown.

3. Remove five capscrews and left and right belt shields (A).
4. Remove drive belt.
 - a. Loosen left side sheaves (B) and (C).
 - b. Remove mower belt.
5. Inspect belt for wear or damage; replace as necessary.
6. Clean top surface of mower deck and sheaves.
7. Install belt on mower deck as shown. Make sure belt is in the groove of each sheave.
8. Tighten sheaves to 47 N•m (35 lb-ft).
9. Install belt shields.
10. Install mower deck.

How to Replace Mower Drive Belts – LA 100 Series Tractors (42-in, 48-in, 54-in.)

Adjusting Mower Belt Tension (107 cm (42 in.) Mower Deck)

1. Park machine safely. (See Parking Safely in the SAFETY section.)
2. Move mower engagement (PTO) lever or switch to OFF position.



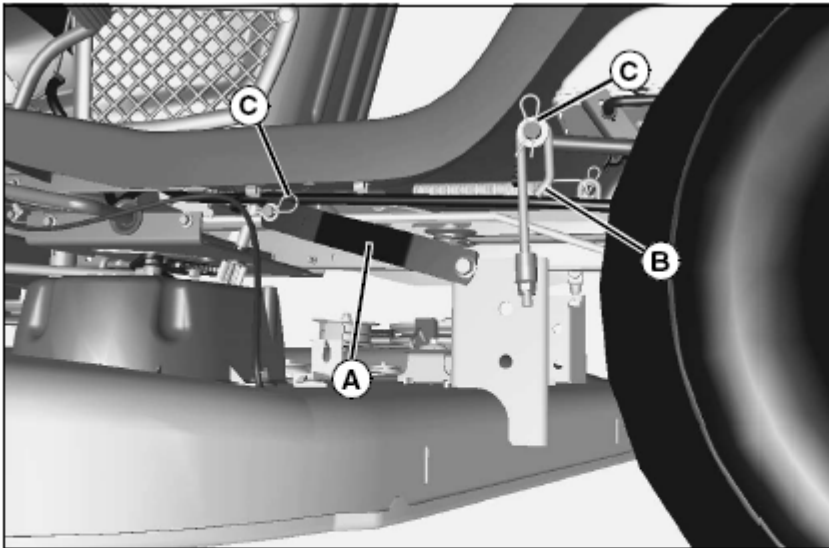
MX7681a

3. Loosen nuts (A) and move cable bracket (B) away from the center of mower deck to tighten belt tension. Move bracket until almost all slack is out of cable but cable is not too tight. Tighten nuts.

How to Replace Mower Drive Belts – LA 100 Series Tractors (42-in, 48-in, 54-in.)

Installing Mower Deck

1. Park machine safely. (See Parking Safely in SAFETY section.)
2. Put attachment lift lever in the transport position.
3. Slide mower under machine.
4. Put wood blocks under each side of mower deck.
5. Put attachment lift lever in lowest position.

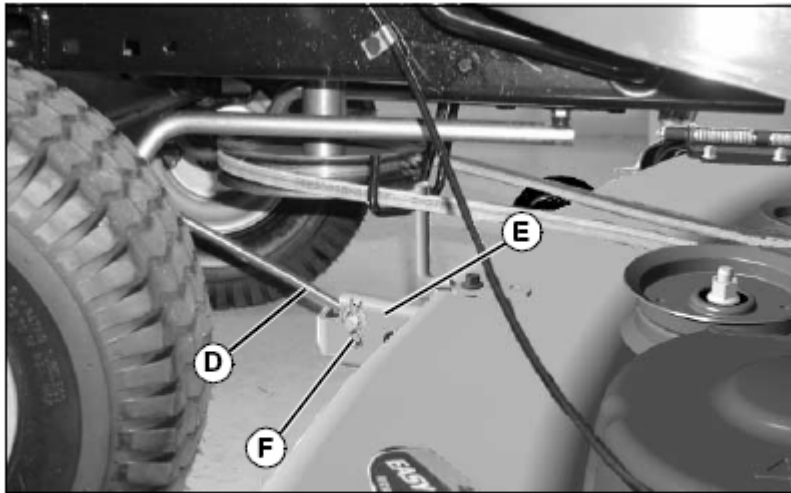


MX16568

6. Fasten rear draft arm (A) and adjustable lift link (B), on each side, with washers and spring locking pins (C).

IMPORTANT: Avoid damage! To prevent clutch damage, make sure front draft rod is installed correctly. Secure rod with washer and spring locking pin on the left side of mower deck bracket.

How to Replace Mower Drive Belts – LA 100 Series Tractors (42-in, 48-in, 54-in.)



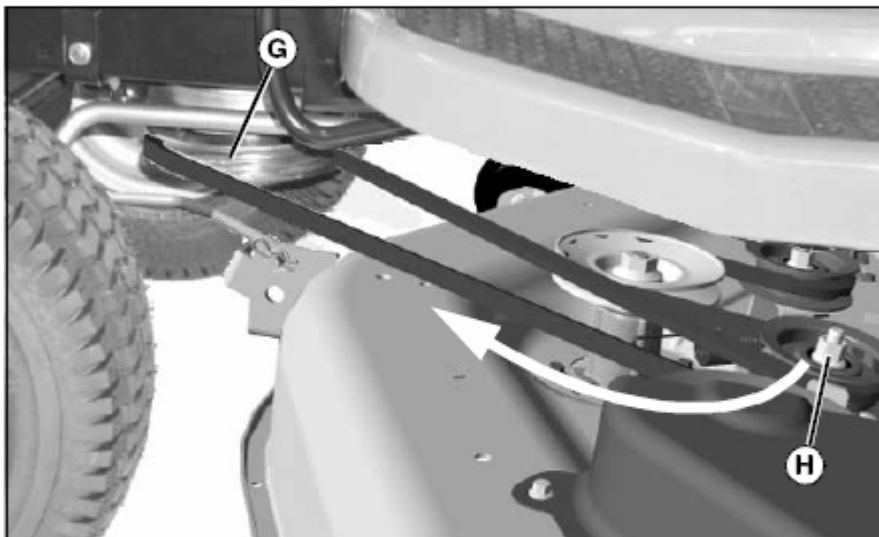
MX10521Y

Picture Note: 107 cm (42 in.) mower deck shown.

7. Install front draft rod (D) into mower deck bracket (E) and secure with washer and spring locking pin (F) on the left side of bracket as shown.



CAUTION: Avoid Injury! Component is spring-assisted and under tension. Injury can occur if spring-assisted component is released suddenly.



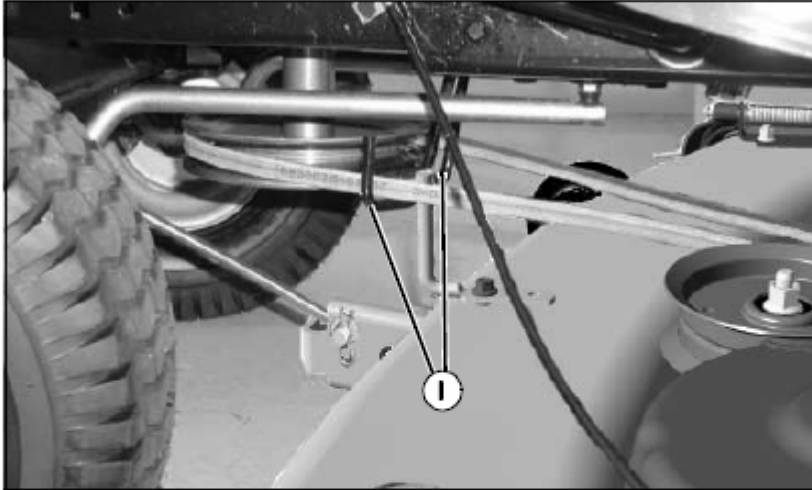
MX10520Y

Picture Note: 122 cm (48 in.) mower deck used for photo purposes.

8. Put mower drive belt on engine drive sheave (G).

- On 122 cm (48 in.) and 137 cm (54 in.) mower decks: Put a 15 mm closed wrench or a socket on the idler sheave nut (H) and rotate clockwise, moving idler sheave and tensioning arm toward front of tractor. Hold while installing belt on drive sheave.

How to Replace Mower Drive Belts – LA 100 Series Tractors (42-in, 48-in, 54-in.)

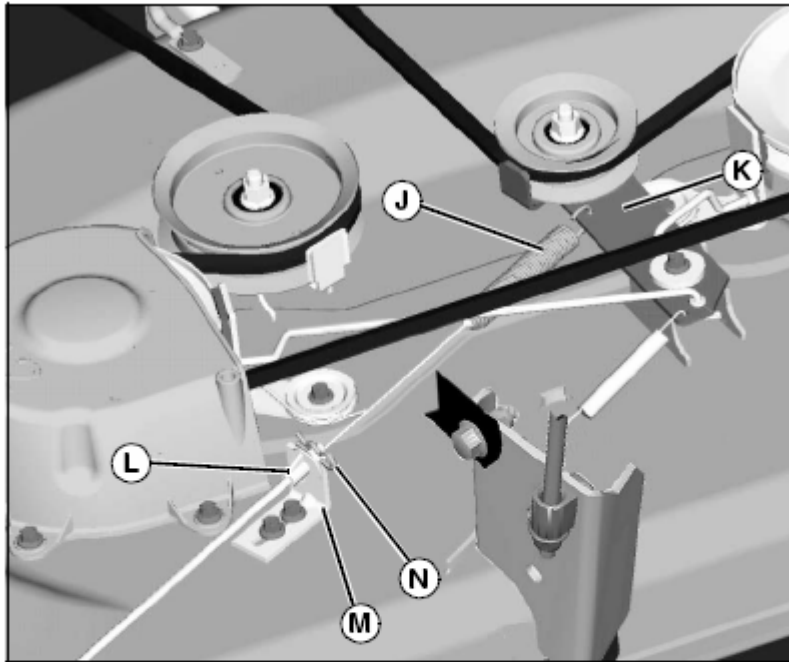


MX10521Y

- On 107 cm (42 in.) mower deck: Make sure belt is routed through both belt guides (I).

9. Remove wood blocks from both sides of mower deck.

10. On machines with 107 cm (42 in.) mower deck: Attach mower engagement drive cable.



MX7681a

Picture Note: 107 cm (42 in.) mower deck only.

a. Route cable under mower belt and brake rod and attach cable spring (J) to idler sheave bracket (K).

b. Pull out on cable (L), align black end of cable with slot in bracket (M) and release cable into slot. Secure with spring locking pin (N).

11. Level mower deck.