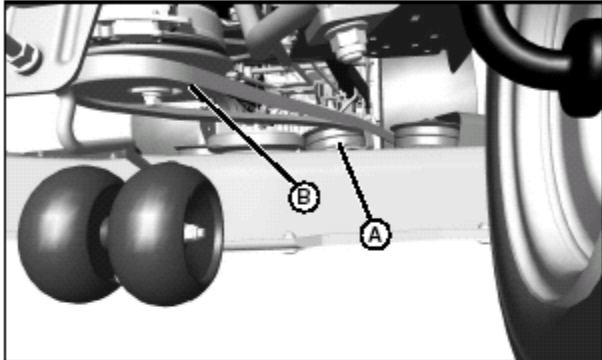


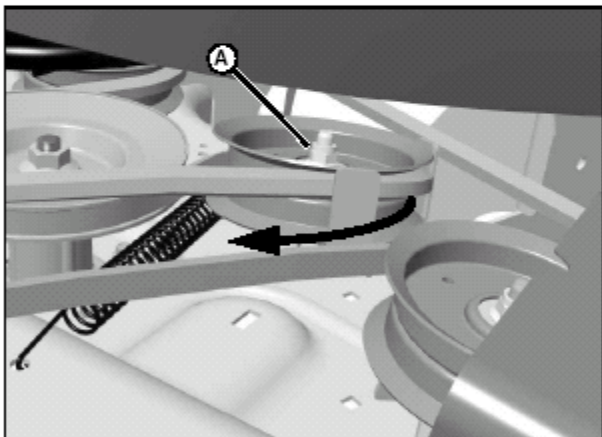
**Garden Tractor
G110
OMGX21456 L3**

Removing Mower

1. Park machine safely. (See Parking Safely in SAFETY section.)
2. Put lift lever in lowest position.



MX16540a



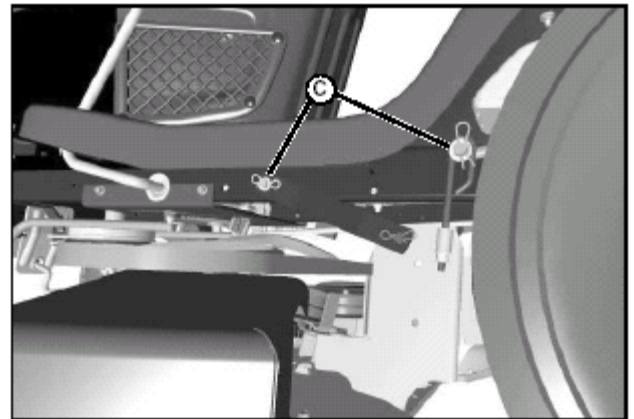
MX16543a

Picture Note: Close-up of idler sheave nut

3. Put a 15 mm closed wrench or a socket on the idler sheave nut (A), move idler sheave toward front of machine and hold to release belt tension.
4. Remove belt from engine drive sheave (B) and slowly return idler sheave to original position.

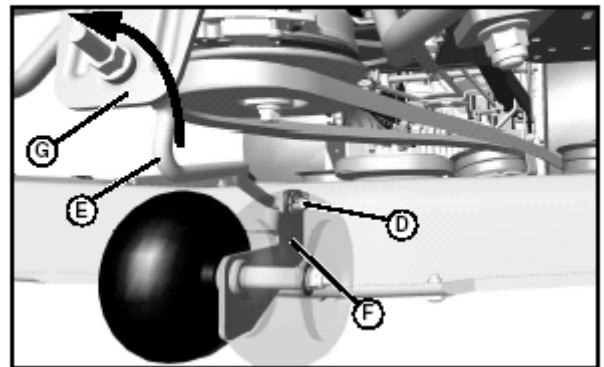
CAUTION: Avoid injury! Rotating blades are dangerous. Before adjusting or servicing mower:

- Disconnect spark plug wire(s) or battery negative (-) cable to prevent engine from starting accidentally.
- Always wear gloves when handling mower blades or working near blades.



MX16541a

5. Remove spring locking pins and washers (C) on each side to disconnect rear draft arms of mower deck.



MX16540

6. Remove spring locking pin, washer (D) and front draft rod (E) from mower deck bracket (F).

NOTE: Do not remove adjustment nut on end of draft rod.

7. If operating machine without the mower deck, remove front draft rod (E) from hanging bracket (G) by sliding rod out hole and away from deck.
8. Slide mower deck from underneath machine.
9. Install all washers and spring pins to original locations to retain hardware. Keep front draft rod with mower deck if not immediately installing mower deck on machine.

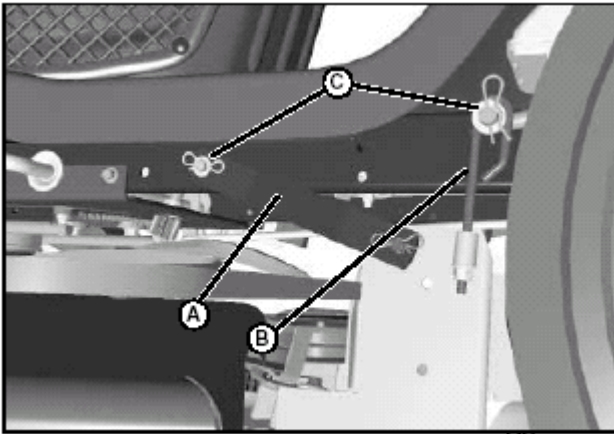
Installing Mower

1. Park machine safely. (See Parking Safely in SAFETY section.)

CAUTION: Avoid injury! Rotating blades are dangerous. Before adjusting or servicing mower:

- Disconnect spark plug wire(s) or battery negative (-) cable to prevent engine from starting accidentally.
- Always wear gloves when handling mower blades or working near blades.

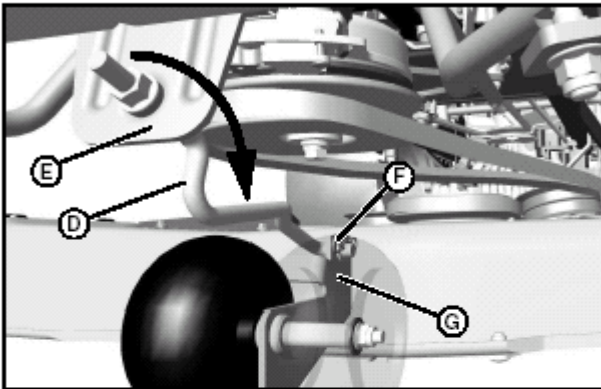
2. Put lift lever in the transport position.
3. Slide mower under machine.
4. Put lift lever in lowest position.



MX16541a

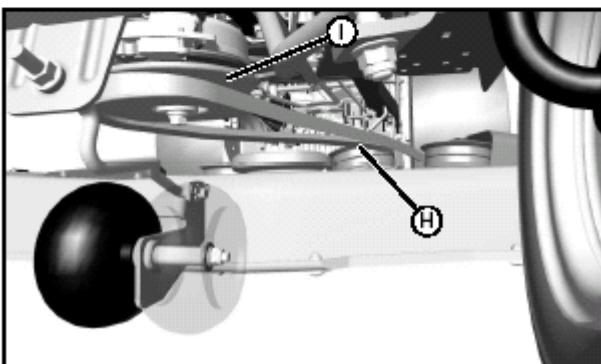
5. Fasten rear draft arms (A) and (B) on each side with washers and spring locking pins (C). Loop on draft arm (B) should face toward rear of machine.

IMPORTANT: Avoid damage! To prevent clutch damage, make sure front draft rod is installed correctly. Secure rod with washer and spring locking pin on the left side of mower deck bracket.

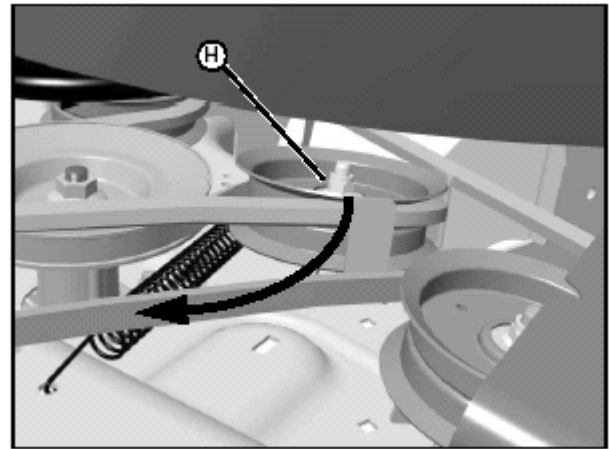


MX16540

6. Install front draft rod (D) through hole in hanging bracket (E) and secure with washer and spring locking pin (F) on the left side of mower deck bracket (G).



MX16540



MX16543a

Picture Note: Close-up of idler sheave nut

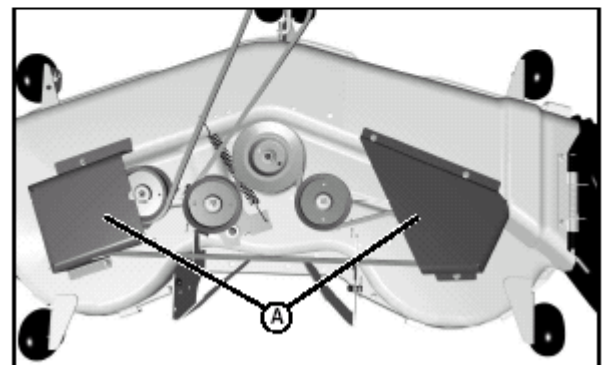
7. Put a 15 mm closed wrench or a socket on the idler sheave nut (H) and move idler sheave toward front of machine.
8. Hold idler sheave (H) and tensioning arm forward while installing belt on engine drive sheave (I).
9. Slowly return idler sheave to original position
10. Level mower.

Replacing Mower Drive Belt On 54 Inch Mower

CAUTION: Avoid injury! Rotating blades are dangerous. Before adjusting or servicing mower:

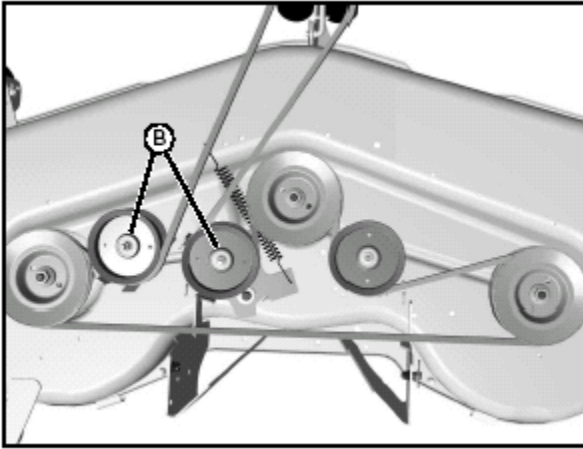
- Disconnect spark plug wire(s) or battery negative (-) cable to prevent engine from starting accidentally.
- Always wear gloves when handling mower blades or working near blades.

1. Park machine safely. (See Parking Safely in SAFETY section.)
2. Remove mower deck.



MX16544

3. Remove capscrews and left and right belt shields (A).



MX16545

4. Loosen idler sheaves (B) if necessary and remove mower belt.
5. Inspect belt for wear or damage; replace as necessary.
6. Clean top surface of mower deck and sheaves.
7. Install belt on mower deck as shown. Make sure belt is in the groove of each sheave and on the correct side of belt guides.
8. Tighten idler sheaves (B) to 47 N•m (35 lb-ft).
9. Install two belt shields and fasten with cap screws.
10. Install mower deck.