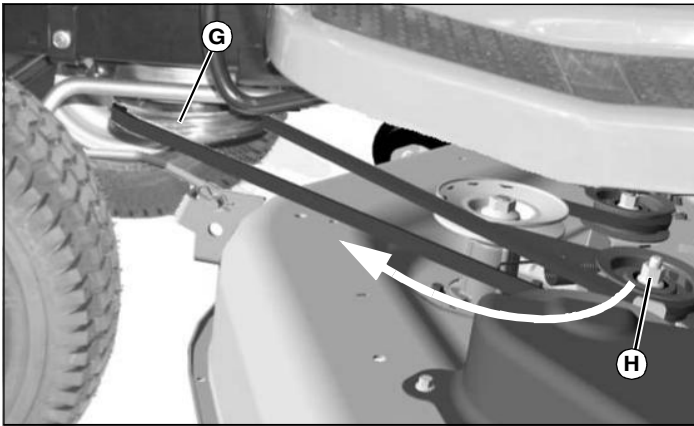


SERVICE MOWER



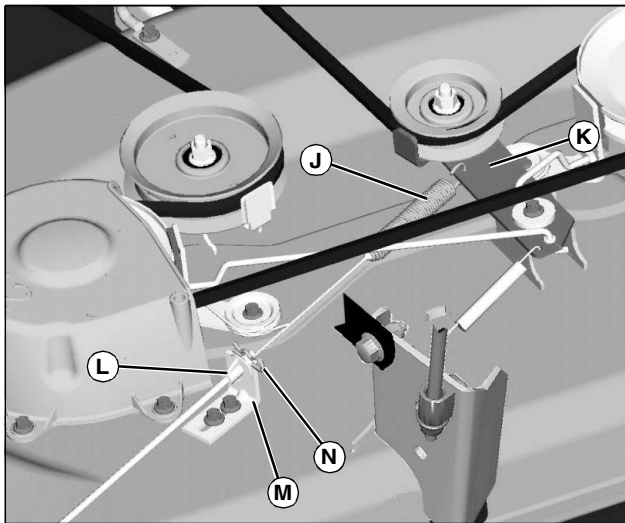
CAUTION: Avoid injury! Idler arm is under load when removing or installing a new belt. Injury can occur if released suddenly. Keep hands and fingers from the surrounding area of the arm.



MX10520Y

Picture Note: 122 cm (48 in.) mower deck used for photo purposes.

- Put mower drive belt on engine drive sheave (G).
 - On 122 cm (48 in.) and 137 cm (54 in.) mower decks: Put a 15 mm closed wrench or a socket on the idler sheave nut (H) and rotate clockwise, moving idler sheave and tensioning arm toward front of tractor. Hold while installing belt on drive sheave.
 - On 107 cm (42 in.) mower deck: Make sure belt is routed through both belt guides (I).
- Remove wood blocks from both sides of mower deck.
- On machines with 107 cm (42 in.) mower deck: Attach mower engagement drive cable.



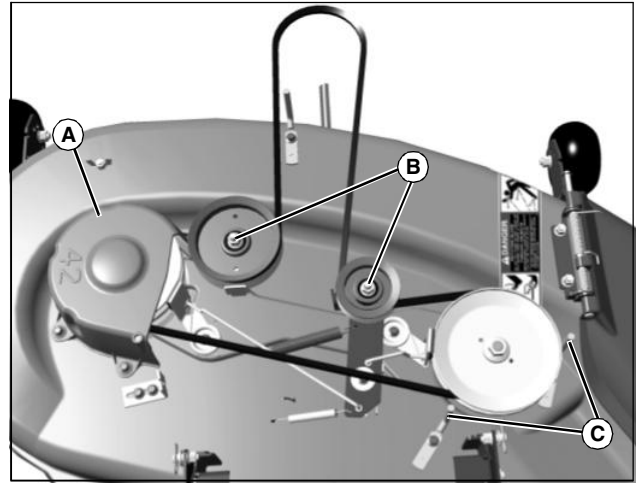
MX7681a

Picture Note: 107 cm (42 in.) mower deck only.

- Route cable under mower belt and brake rod and attach cable spring (J) to idler sheave bracket (K).
 - Pull out on cable (L), align black end of cable with slot in bracket (M) and release cable into slot. Secure with spring locking pin (N).
- Level mower.

Replacing Mower Drive Belt (107 cm (42 in.) Mower Deck)

- Park machine safely. (See Parking Safely in the SAFETY section.)
- Remove mower deck.
- Remove drive belt.



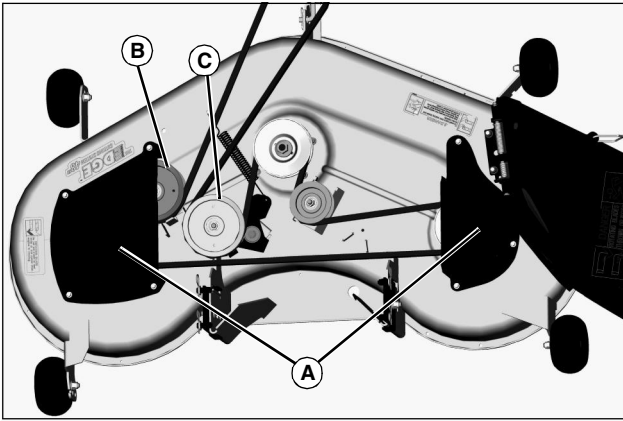
MX10511

- Remove three cap screws and belt shield (A).
 - Loosen sheaves (B) and belt guides (C).
 - Remove mower belt.
- Inspect belt for wear or damage; replace as necessary.
 - Clean top surface of mower deck and sheaves.
 - Install belt on mower deck as shown. Make sure belt is in the groove of each sheave and inside belt guides (C).
 - Tighten sheaves to 47 N•m (35 lb-ft).
 - Install belt shield.
 - Install mower deck.
 - Adjust mower belt tension and spindle brakes, if necessary.

Replacing Mower Drive Belt (122 cm (48 in.) and 137 cm (54 in.) Mower Decks)

- Park machine safely. (See Parking Safely in SAFETY section.)
- Remove mower deck.
- Remove belt shields.

SERVICE MOWER



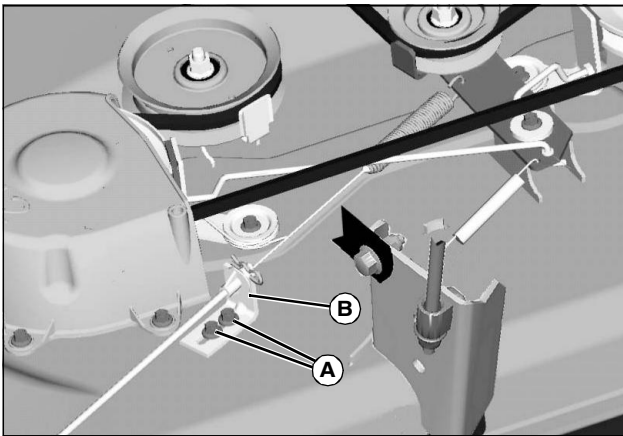
MX10505a

Picture Note: 122 cm (48 in.) mower deck shown.

- a. On 122 cm (48 in.) mower deck: Remove seven capscrews and left and right belt shields (A).
- b. On 137 cm (54 in.) mower deck: Remove five capscrews and left and right belt shields.
4. Remove drive belt.
 - a. Loosen left side sheaves (B) and (C).
 - b. Remove mower belt.
5. Inspect belt for wear or damage; replace as necessary.
6. Clean top surface of mower deck and sheaves.
7. Install belt on mower deck as shown. Make sure belt is in the groove of each sheave.
8. Tighten sheaves to 47 N•m (35 lb-ft).
9. Install belt shields.
10. Install mower deck.

Adjusting Mower Belt Tension (107 cm (42 in.) Mower Deck)

1. Park machine safely. (See Parking Safely in the SAFETY section.)
2. Move mower engagement (PTO) lever or switch to OFF position.



MX7681a

3. Loosen nuts (A) and move cable bracket (B) away from the center of deck to tighten belt tension. Move bracket until almost all slack is out of cable but cable is not too tight. Tighten nuts.

Adjusting Spindle Brakes (107 cm (42 in.) Mower Deck)



CAUTION: Avoid injury! The mower blades should stop in approximately five seconds when the mower or PTO is disengaged.

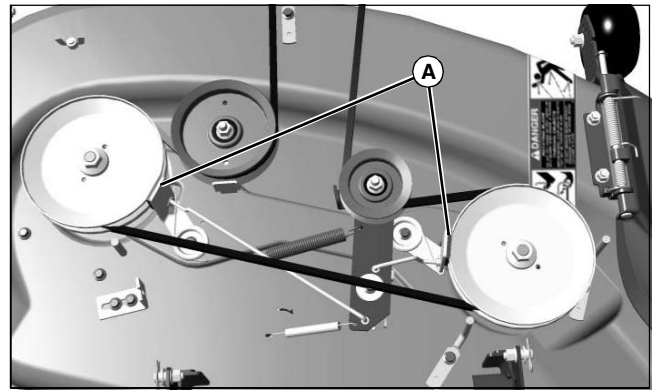
If you believe that your blades may not be stopping in that period of time, take your machine to your authorized dealer where they can safely check and service your machine.

IMPORTANT: Avoid damage! Avoid belt damage.

Spindle brake engagement should be checked and corrected every time the mower belt tension is adjusted.

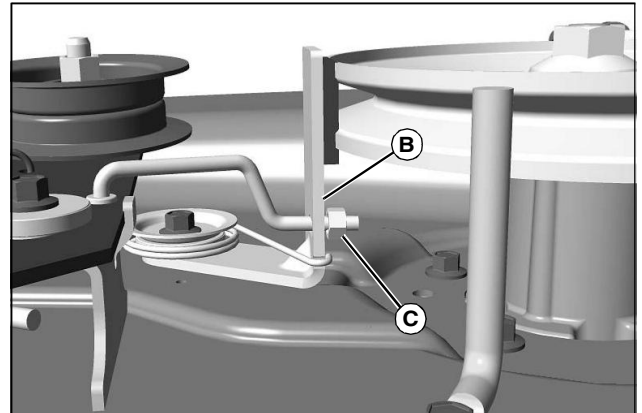
Mower belt tension should be adjusted, if required, before brakes are adjusted.

1. Park machine safely. (See Parking Safely in the SAFETY section.)
2. Remove mower deck.



MX10512

3. Remove left belt shield and adjust two blade brakes (A).



MX10507

4. Measure distance from spindle brake bracket (B) to nut (C) on end of brake rod.
 - Bracket to nut distance should be: 2 – 3 mm (0.08 – 0.12 in).
5. If adjustment is required, turn nut (C) on end of brake rod in correct direction to set brake at proper distance from pulley.
6. Adjust both brakes.
7. Install left belt shield.
8. Install mower deck.